

1
359.a

A

B

C

D

E

7105019

7021012

0002668

0003089

0011708

0004675

0012282

0001432

0017761

0003638

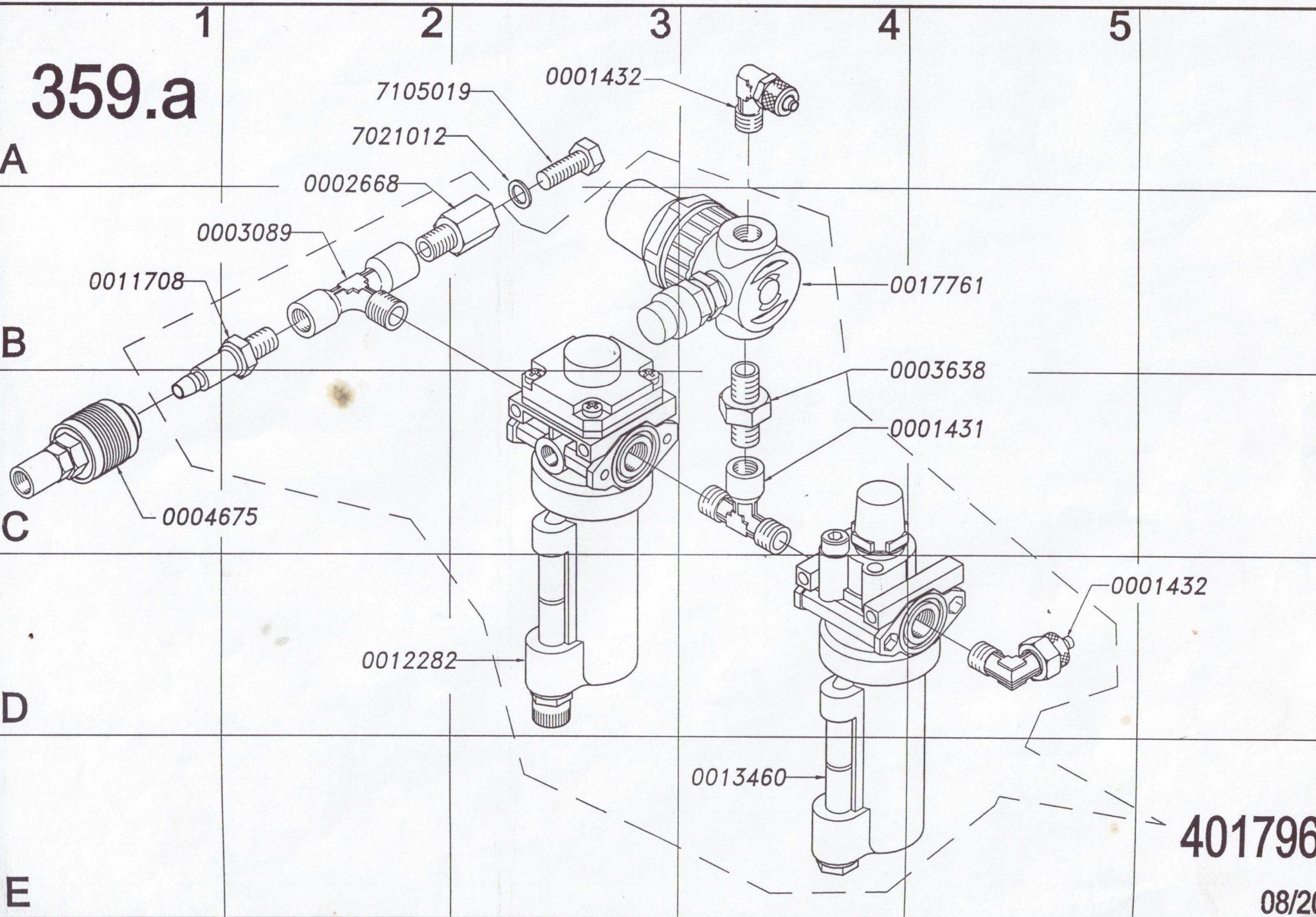
0001431

0013460

0001432

4017969

08/200



394

1

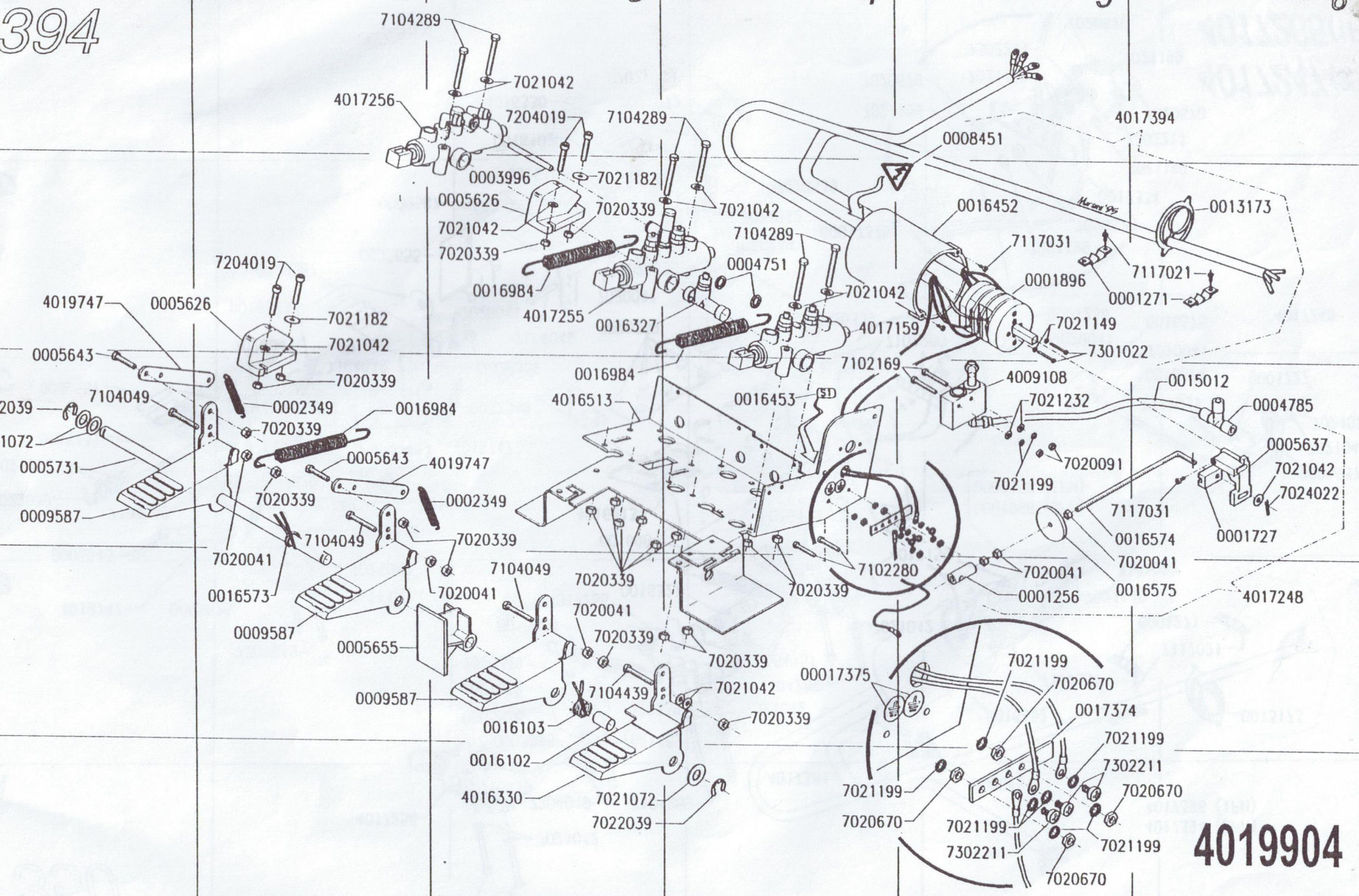
2

3

4

5

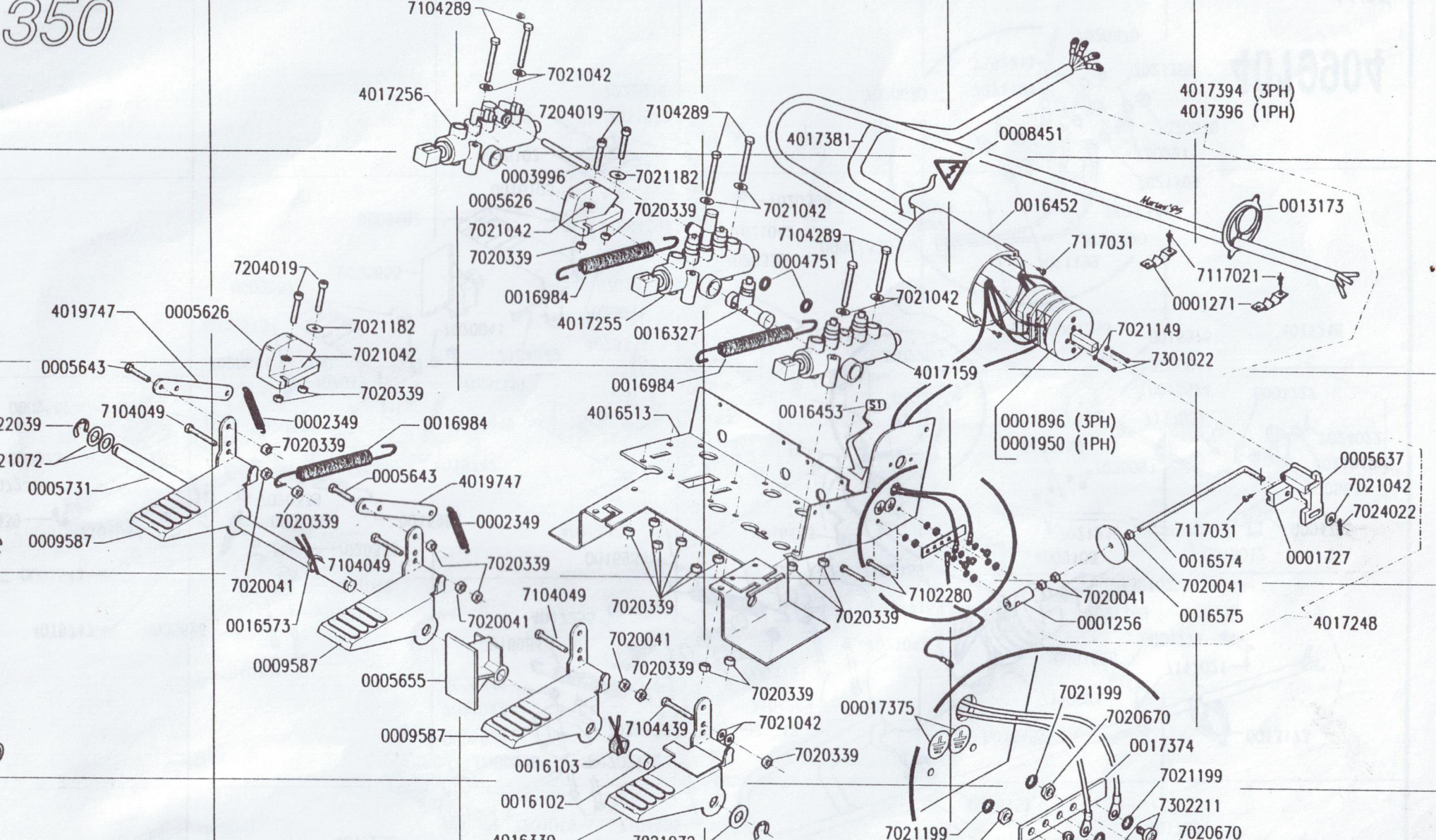
6



4019904

350

1 2 3 4 5 6



4017247(3PH)
4017265(1PH)

1
343.a

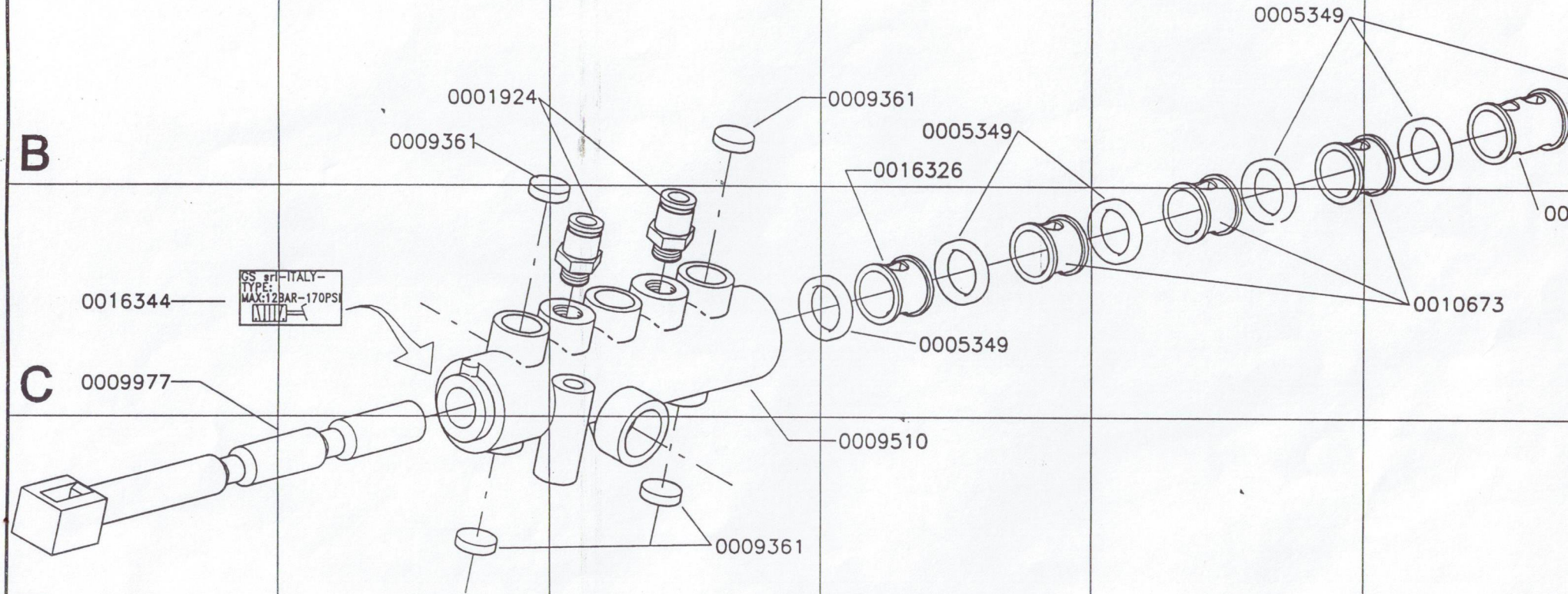
A

B

C

D

E



401715

1
822.a

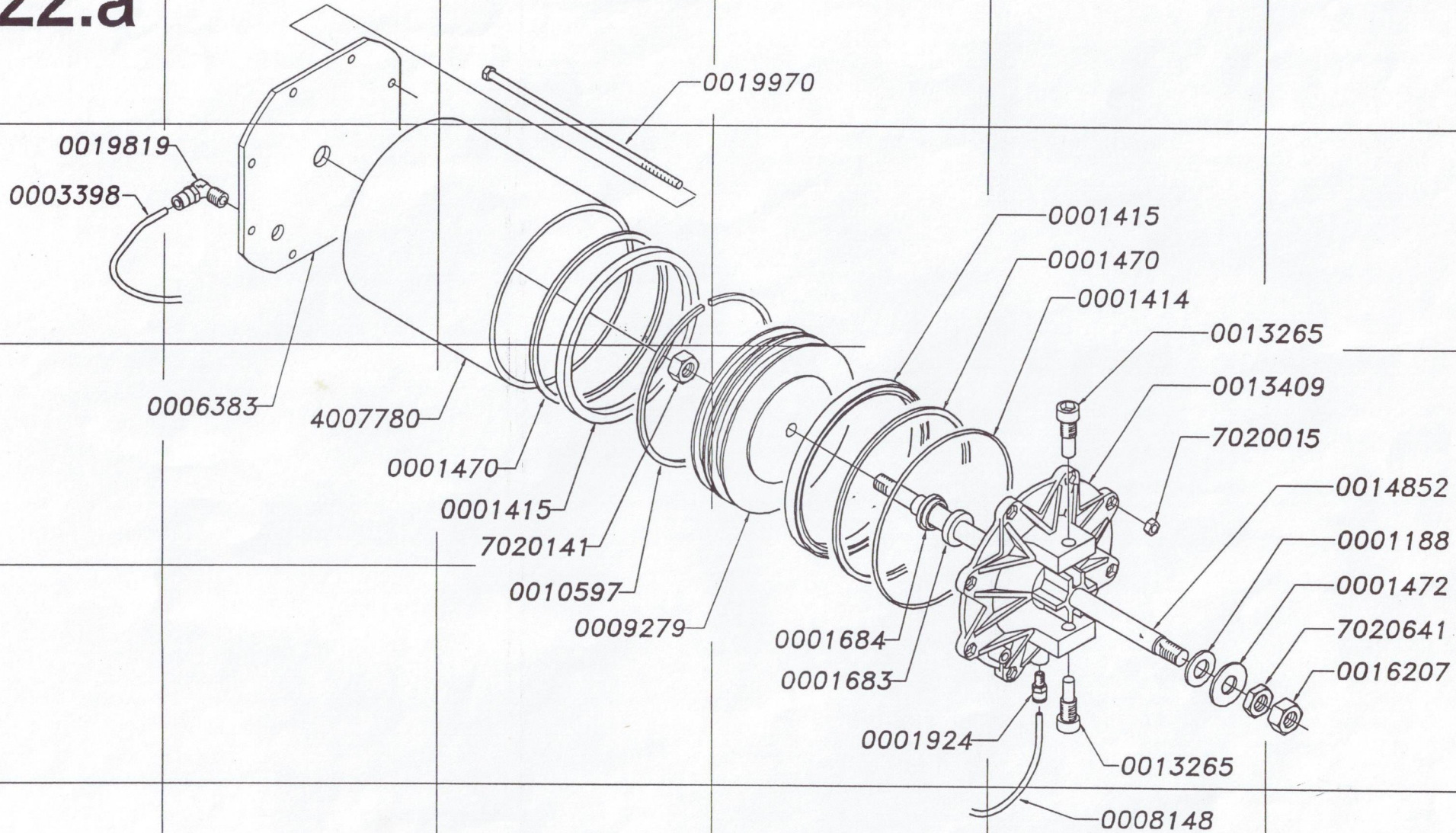
A

B

C

D

E



4014897

08/2000

1
2
3
4
5
6

339.a

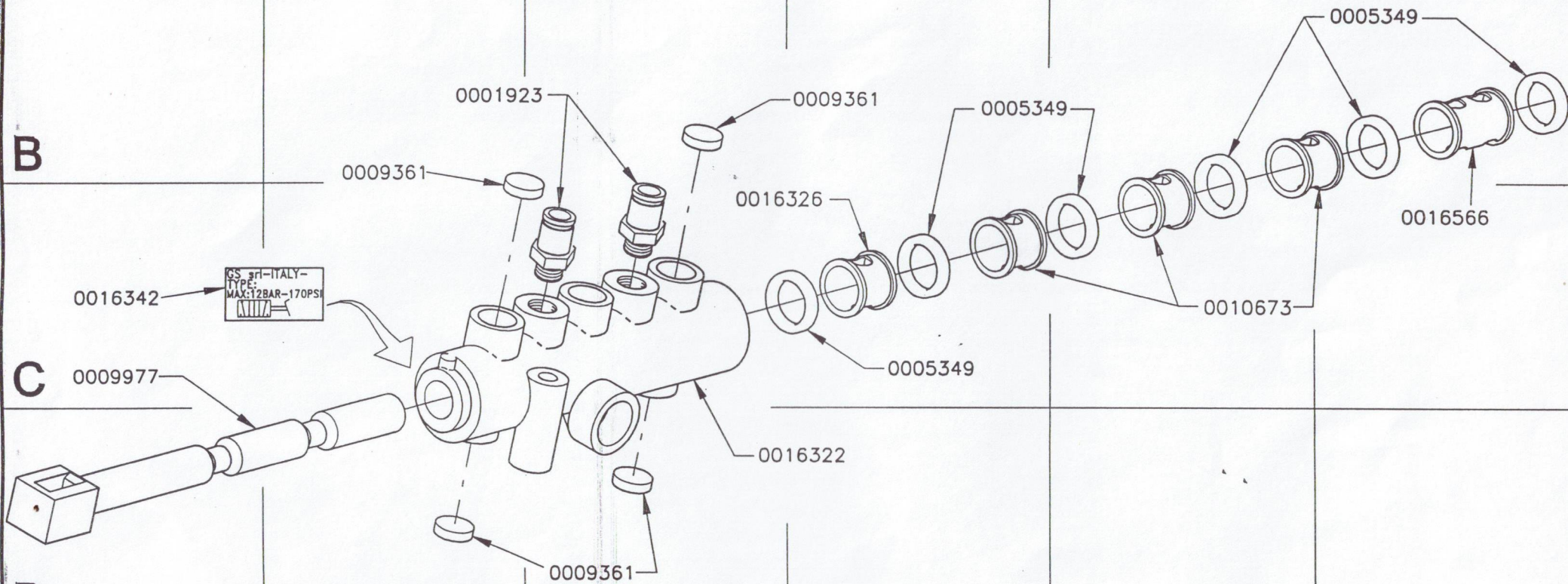
A

B

C

D

E



4009611

08/2000

349.a

A

B

C

D

E

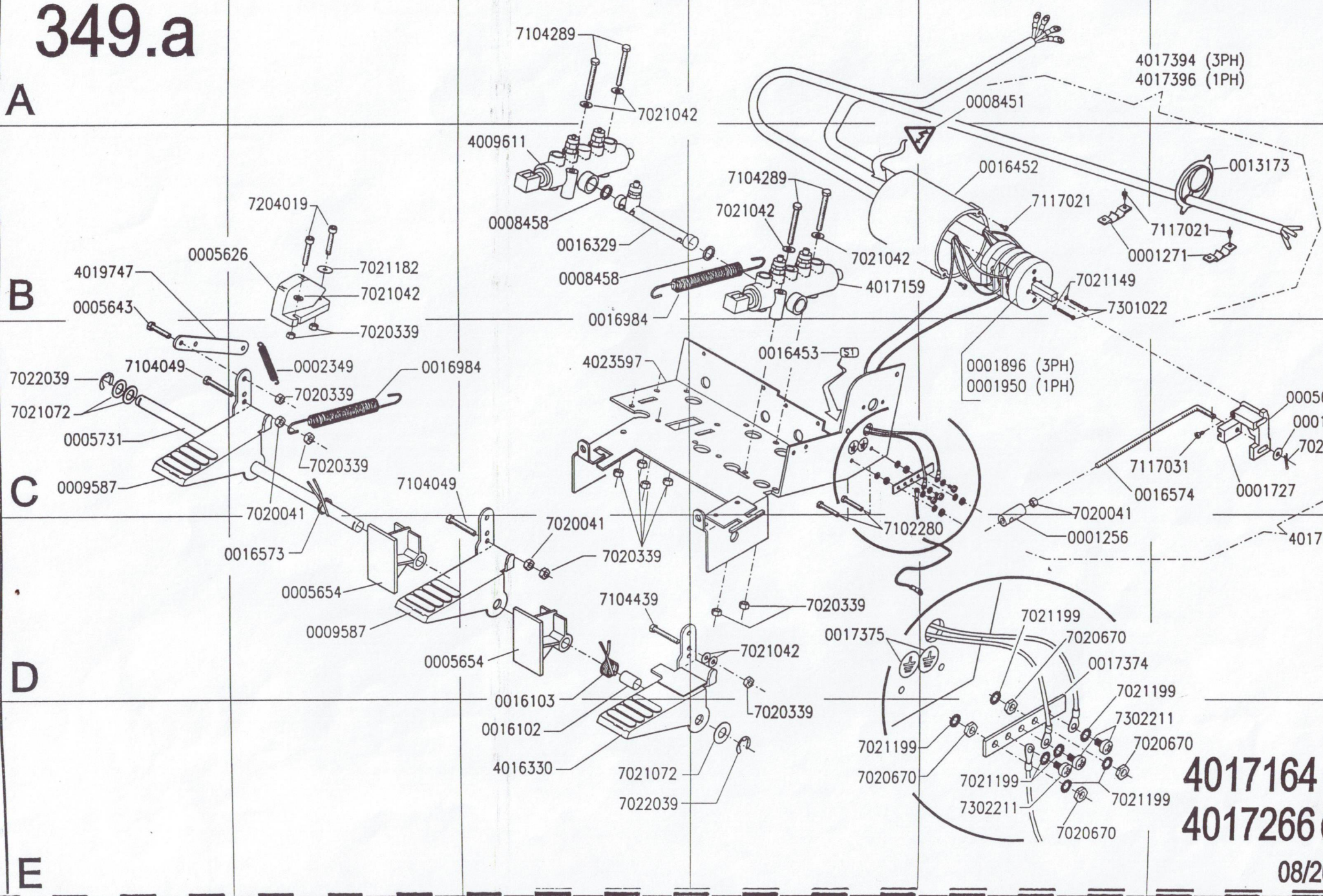
1

2

3

4

5



4017164 ()
4017266 ()

808.a

1

2

3

4

5

6

0021060 (1Ph-230V)
0004772 (3Ph-0.75KW)

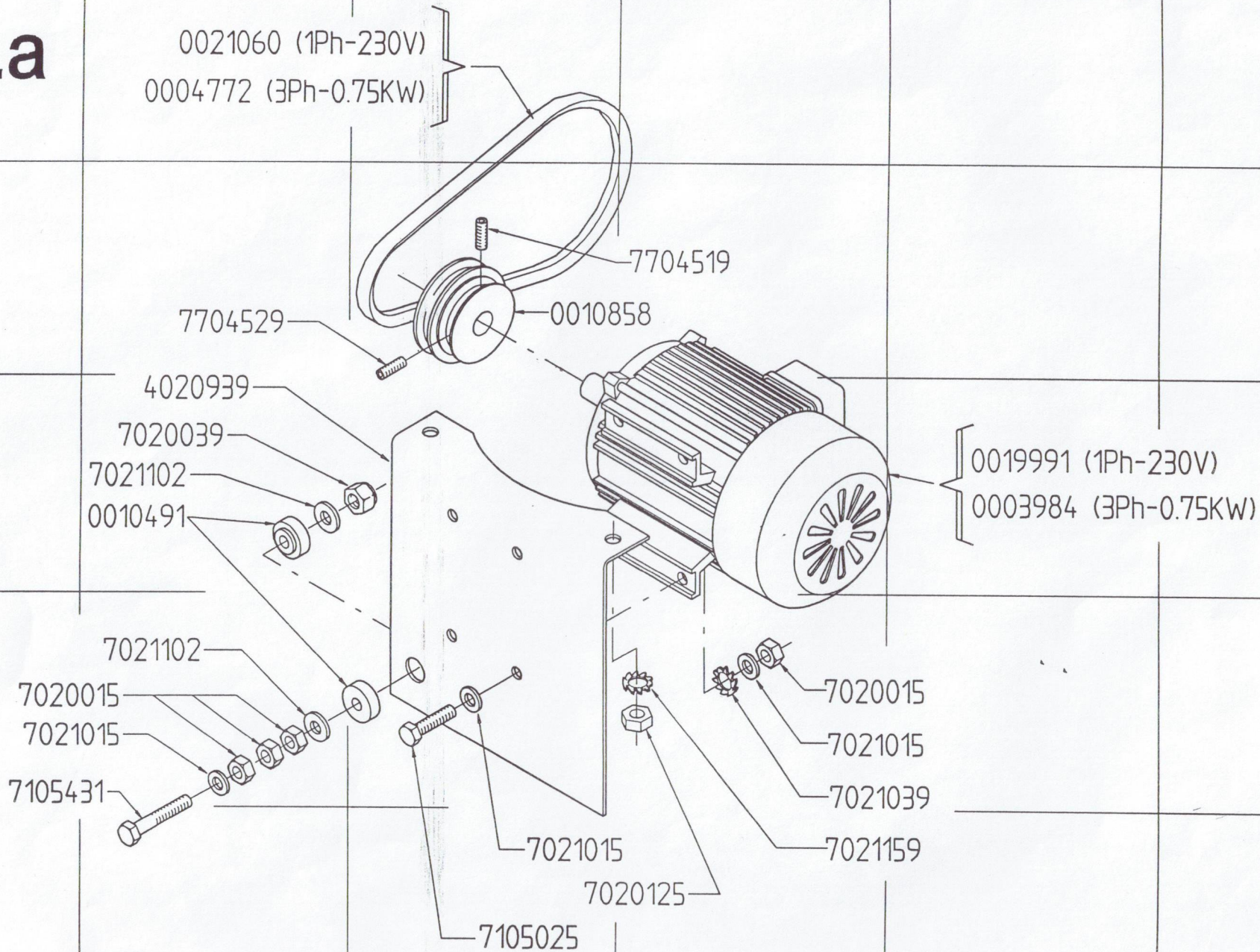
A

B

C

D

E



809

1

2

3

4

5

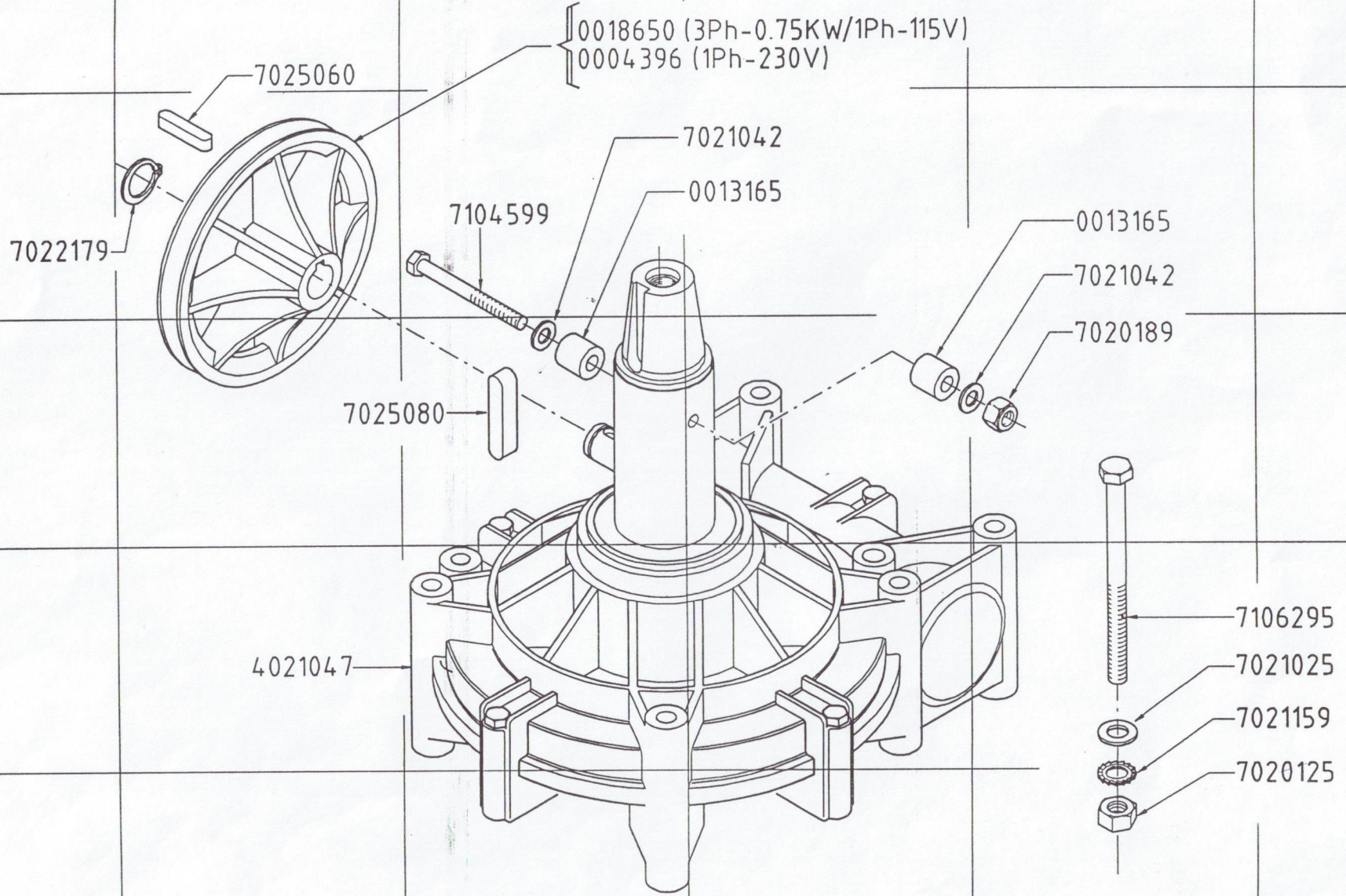
A

B

C

D

E



1
828.a

A

B

C

D

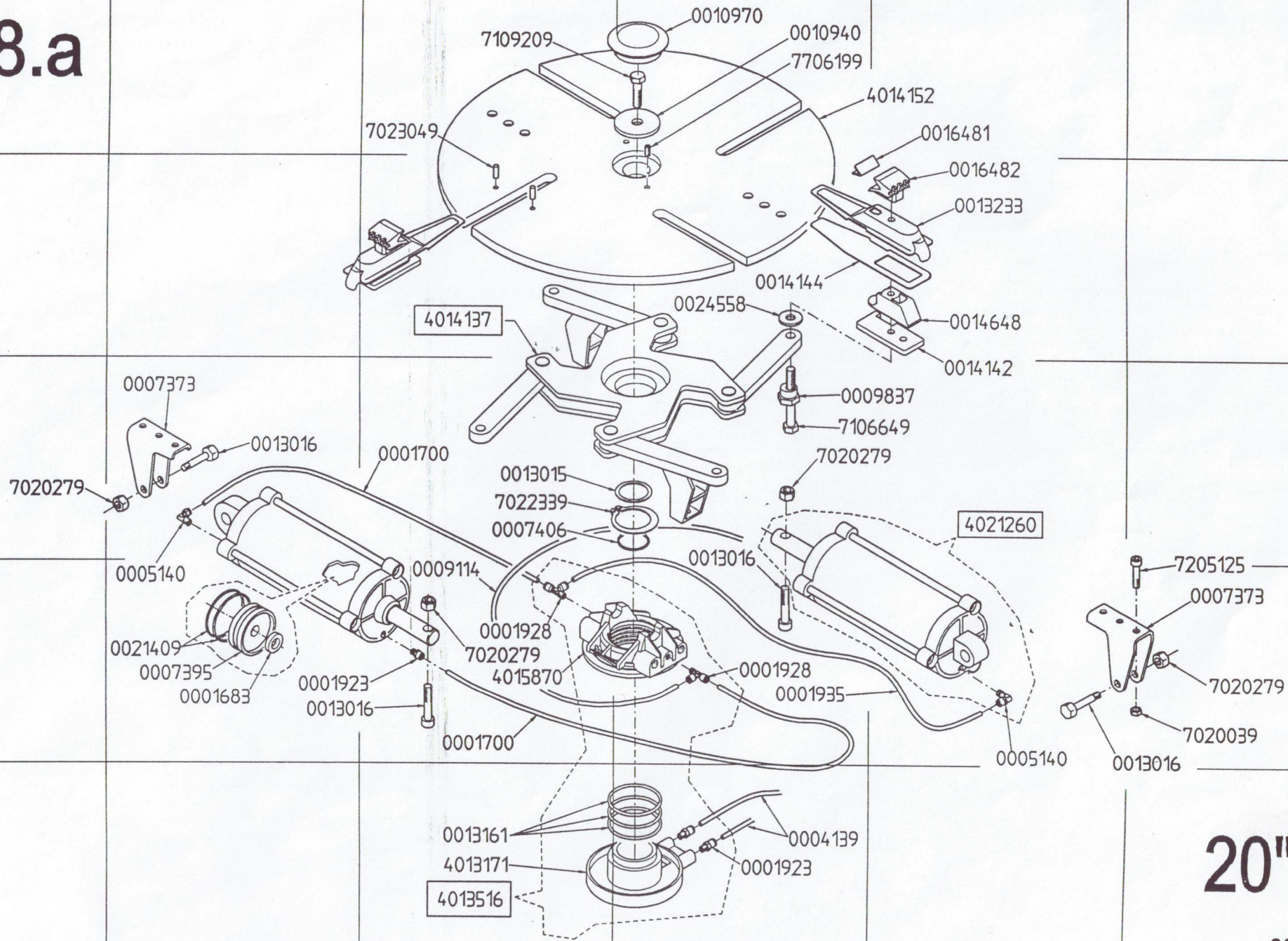
E

2

3

4

5



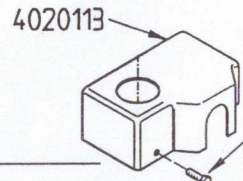
20"

08/200

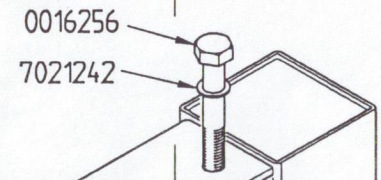
1
452.a

A

7205059
7021015
0017669



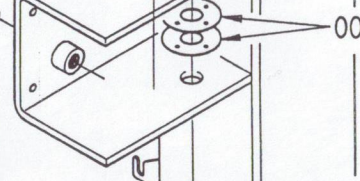
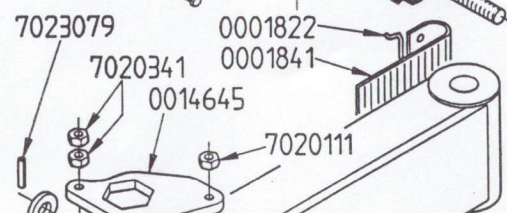
0009608
7803309



0009607

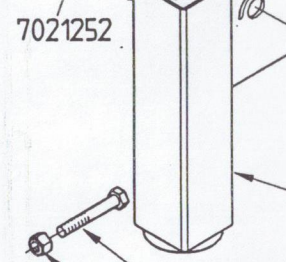
B

0017746
0019330



7021242
7020521

C

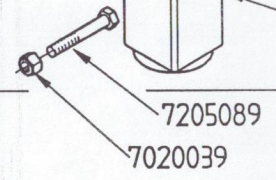


7205089
7020039

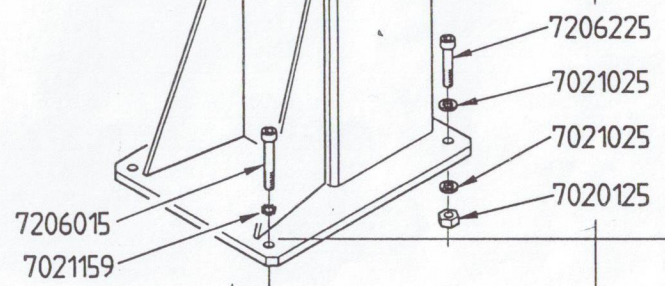
4016296

D

0019327
0024368
7706429
0011065
4011066
0011064
7040080



0006200
7106069



E

406

1

2

3

4

5

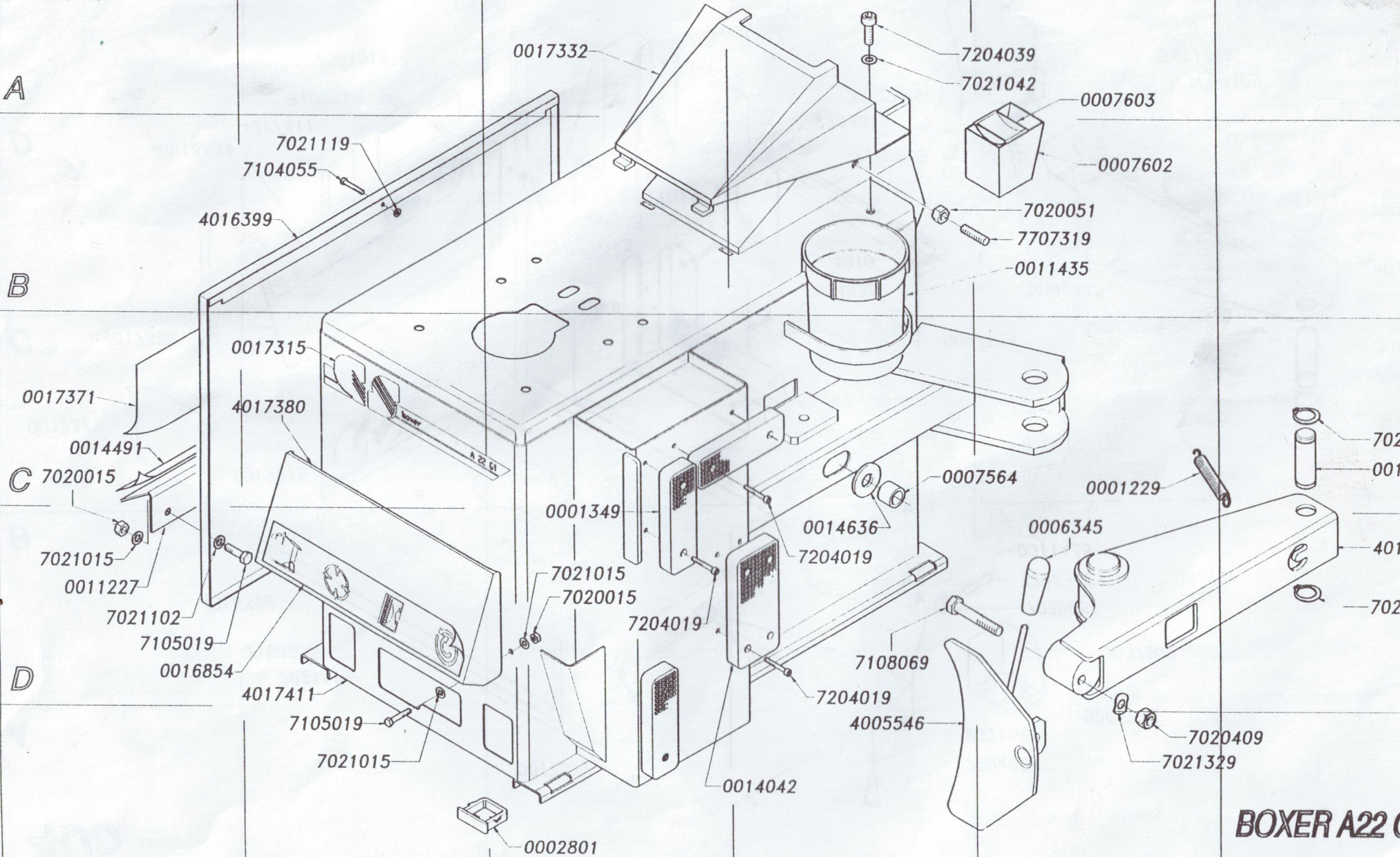
A

B

C

D

E



BOXER A22 C

1

405

1

2

3

4

5

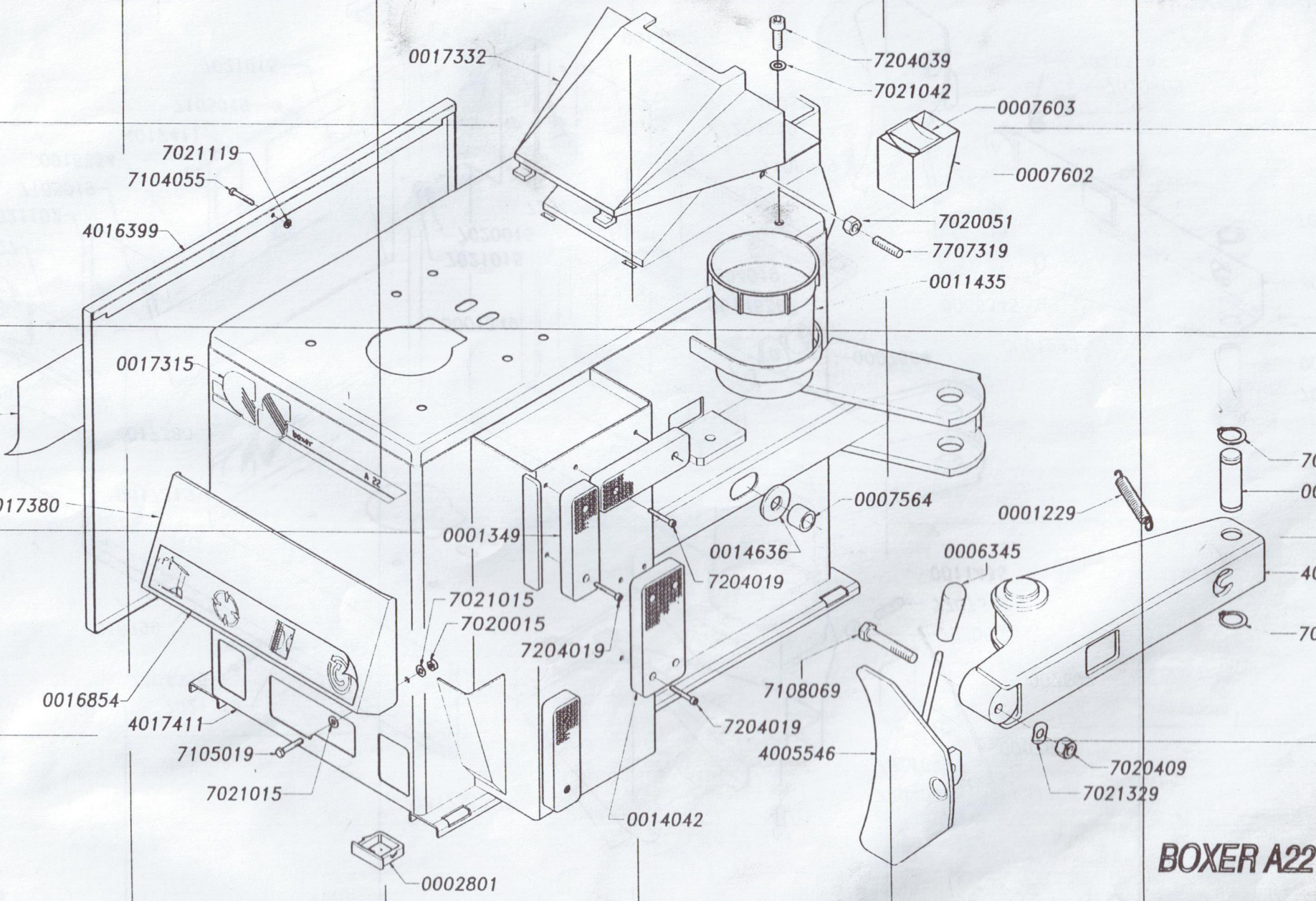
A

B

C

D

E



BOXER A22

407

1

2

3

4

5

A22

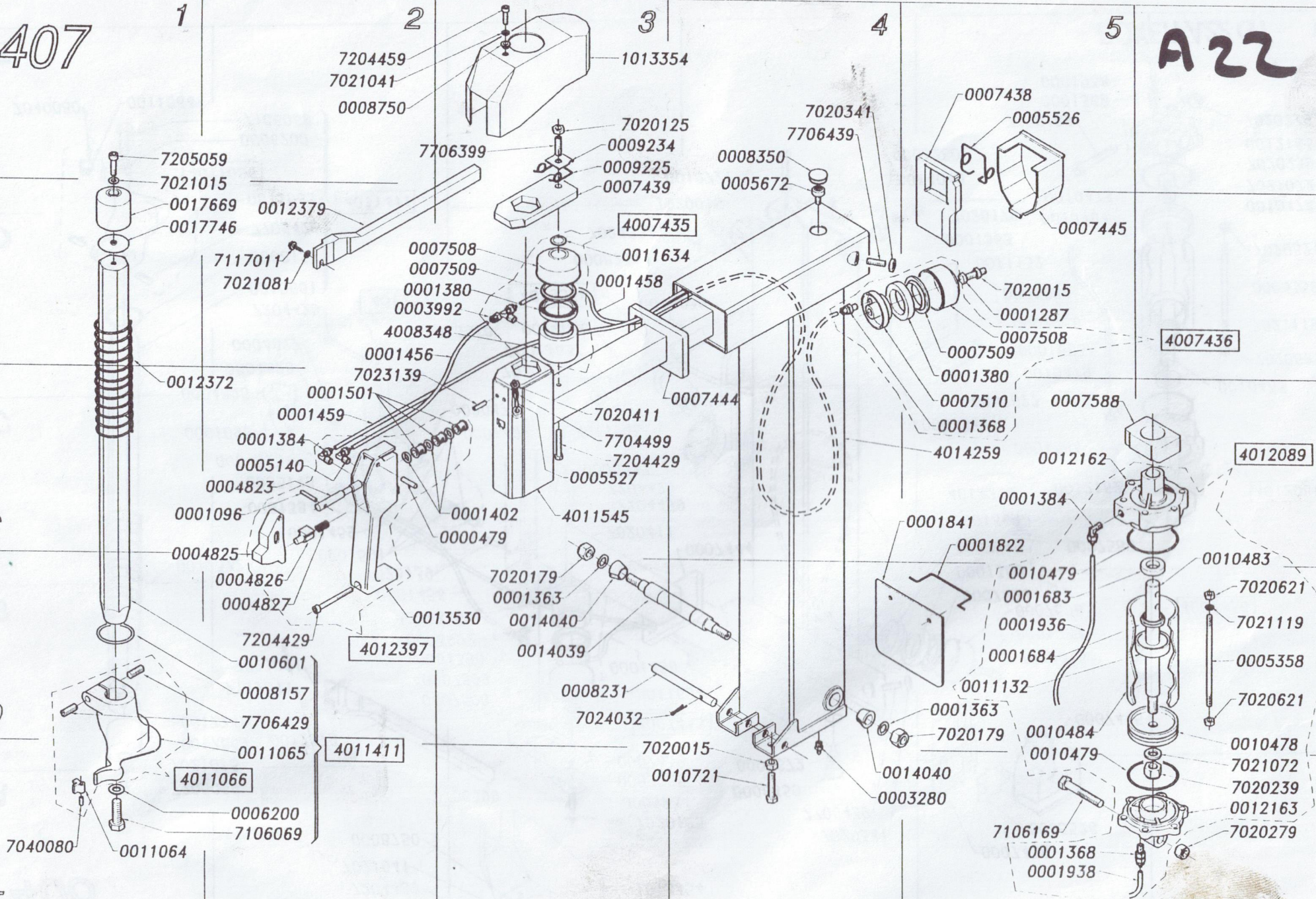
A

B

C

D

E



BOXER A22

11/9

408

1

2

3

4

5

A

B

C

D

E

7204459
7021041
0008750

1013354

7205059
7021015
0017669
0017746

0012379

7117011
7021081

7706399

7020125
0009234
0009225
0007439

0008350
0005672

7020341
7706439

0007438
0005526

0007445

4007435

0011634

0007508
0007509
0001380
0003992

0001458

7020015

0001287

0007508

4007436

4008348

0001456

7023139

0012372

0001501

0001459

0001384

0005140

0004823

0001096

0004825

0004826

0004827

0001402

0000479

4011545

7020179

0001363

0014040

0014039

0008231

7024032

7020015

0010721

4014259

0007588

0012162

4012089

0001384

0001841

0001822

0010479

0001683

0001936

0001684

0011132

0001363

7020179

0010484

0010479

7106169

0001368

0001938

0010483

7020621

7021119

0005358

7020621

0010478

7021072

7020239

0012163

7020279

7204429

0010601

0008157

7706429

0011065

7106069

0006200

7106069

7040080

0011064

4012397

4013358

4011411

4011066

BOXER A22 GT 11

342

A

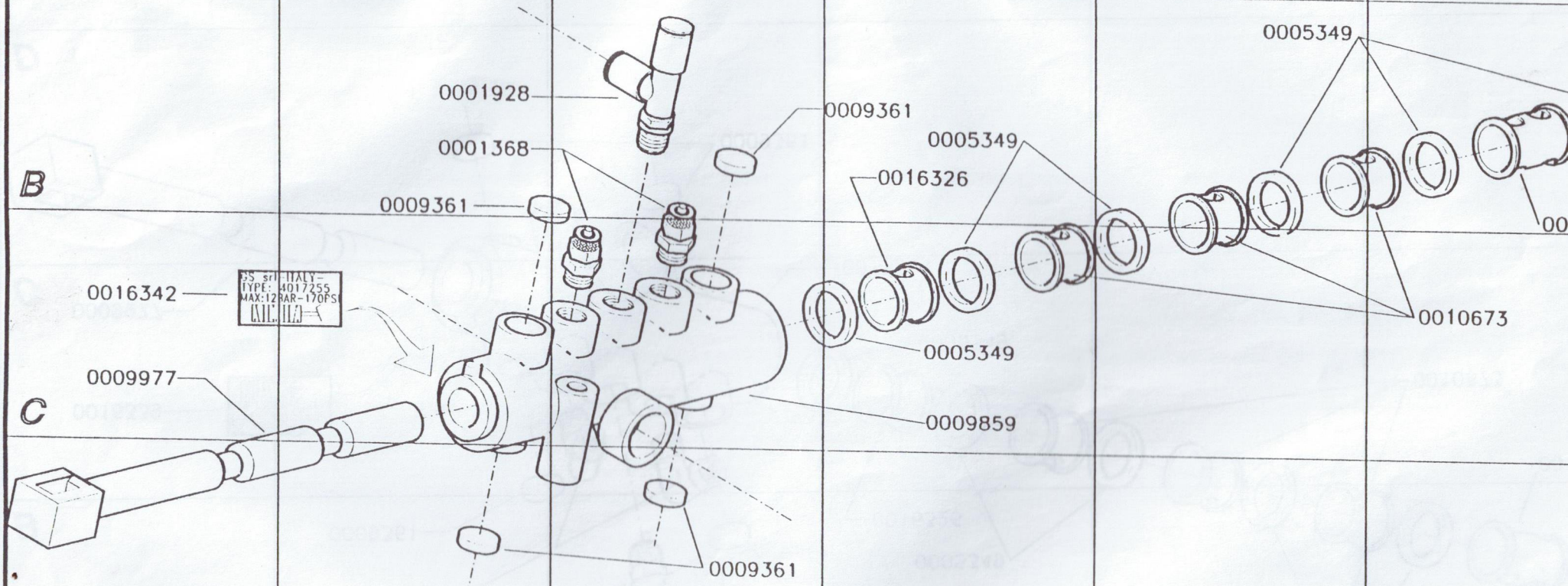
B

C

D

E

SS SP. ITALY -
TYPE: 4017255
MAX: 12 BAR - 170 PSI
G1/2" G1/2"



4017255

07

351

A

B

C

D

E

0005140

0001384

0009361

0016339

0009977

GS srl - ITALY -
TYPE: 4017262
MAX: 12BAR - 170PSI
KALITZ

0009361

0005349

0016326

0005349

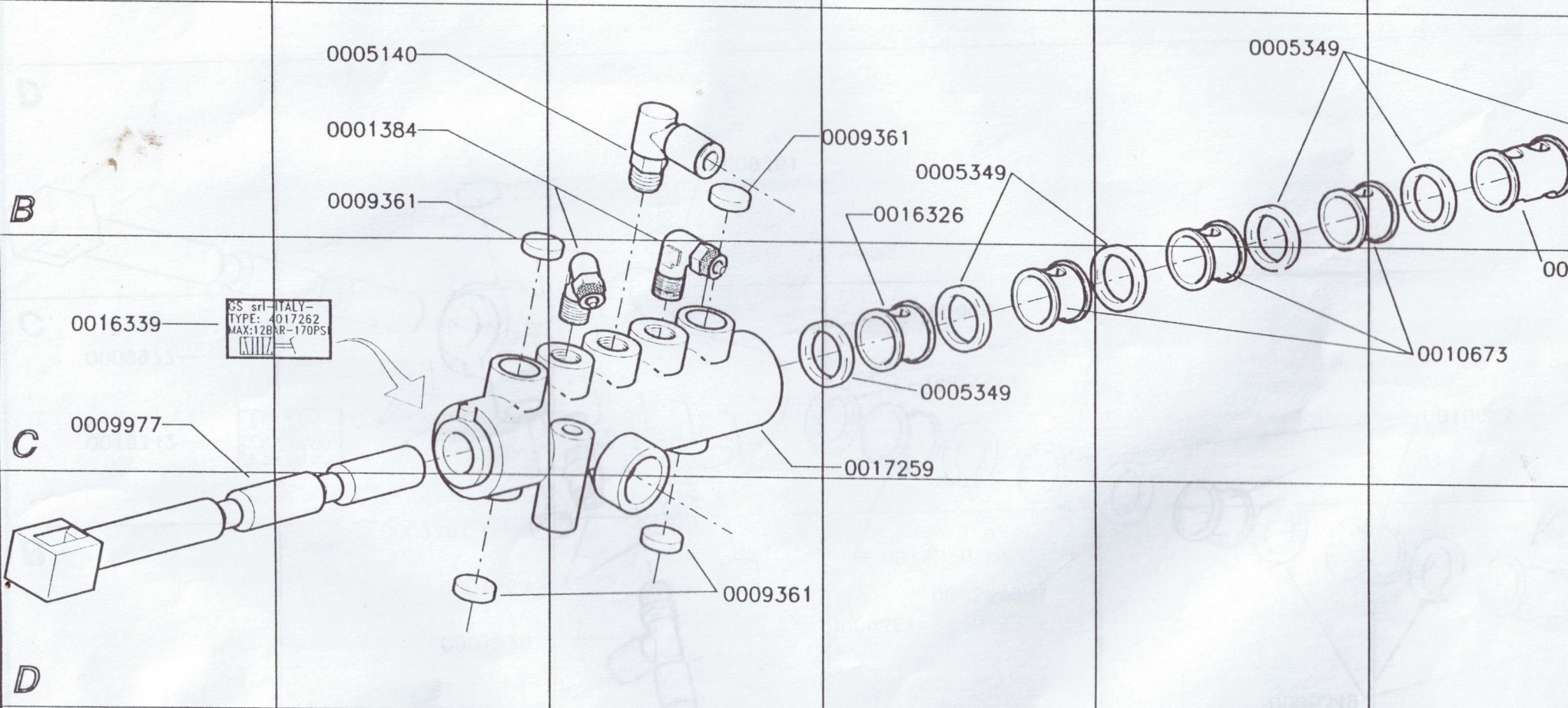
0017259

0009361

0005349

0010673

401725



343

A

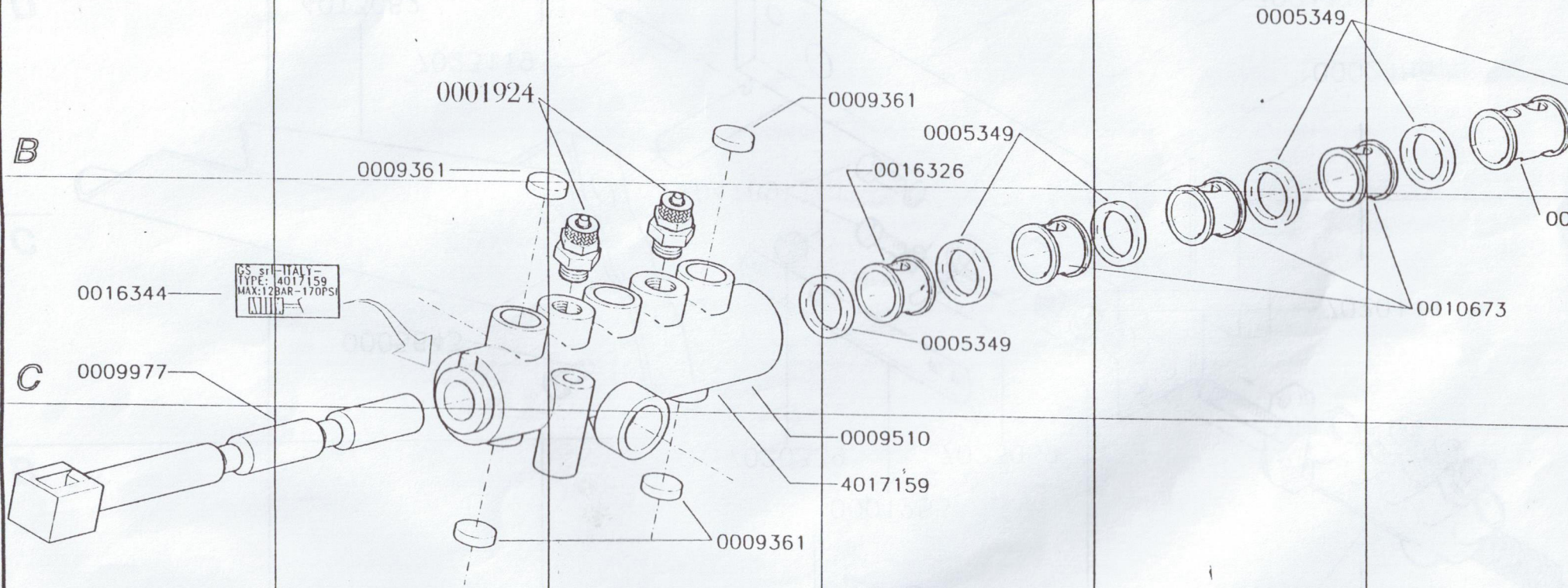
B

C

D

E

GS STH-ITALY-
TYPE: 4017159
MAX: 12 BAR - 170 PSI



4017159

5

356

1

2

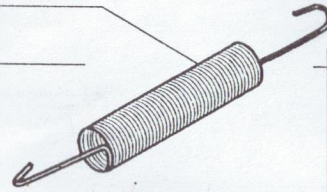
3

4

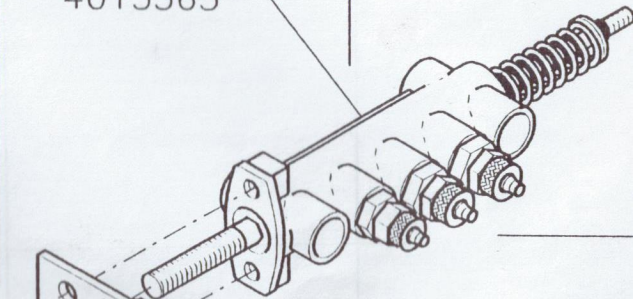
5

A

0002488



4013363



B

0001255

7020339

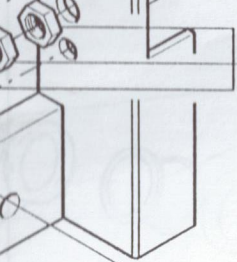
7023059

C

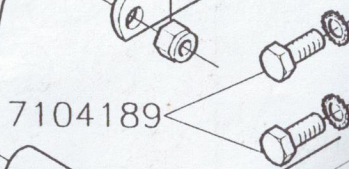
0005643



7020111



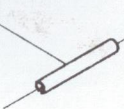
7104189



0002486

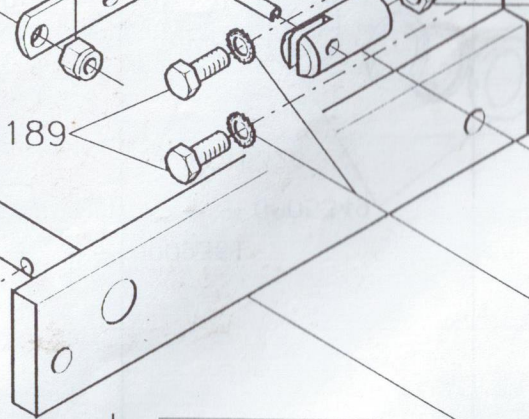
D

7023119



7021119

4013082



4013078

E

4013362

08

358

1

2

3

4

5

A

B

C

D

E

GS srl-ITALY-
TYPE:4013363
MAX:12BAR-170PS
ZHA

0016334

GS srl-ITALY-
TYPE:4015652
MAX:12BAR-170PS
ZHA

0013364

0001402

0008752

0001202

0014133

0001203

0013365

7020479

7021082

0010241

0001775

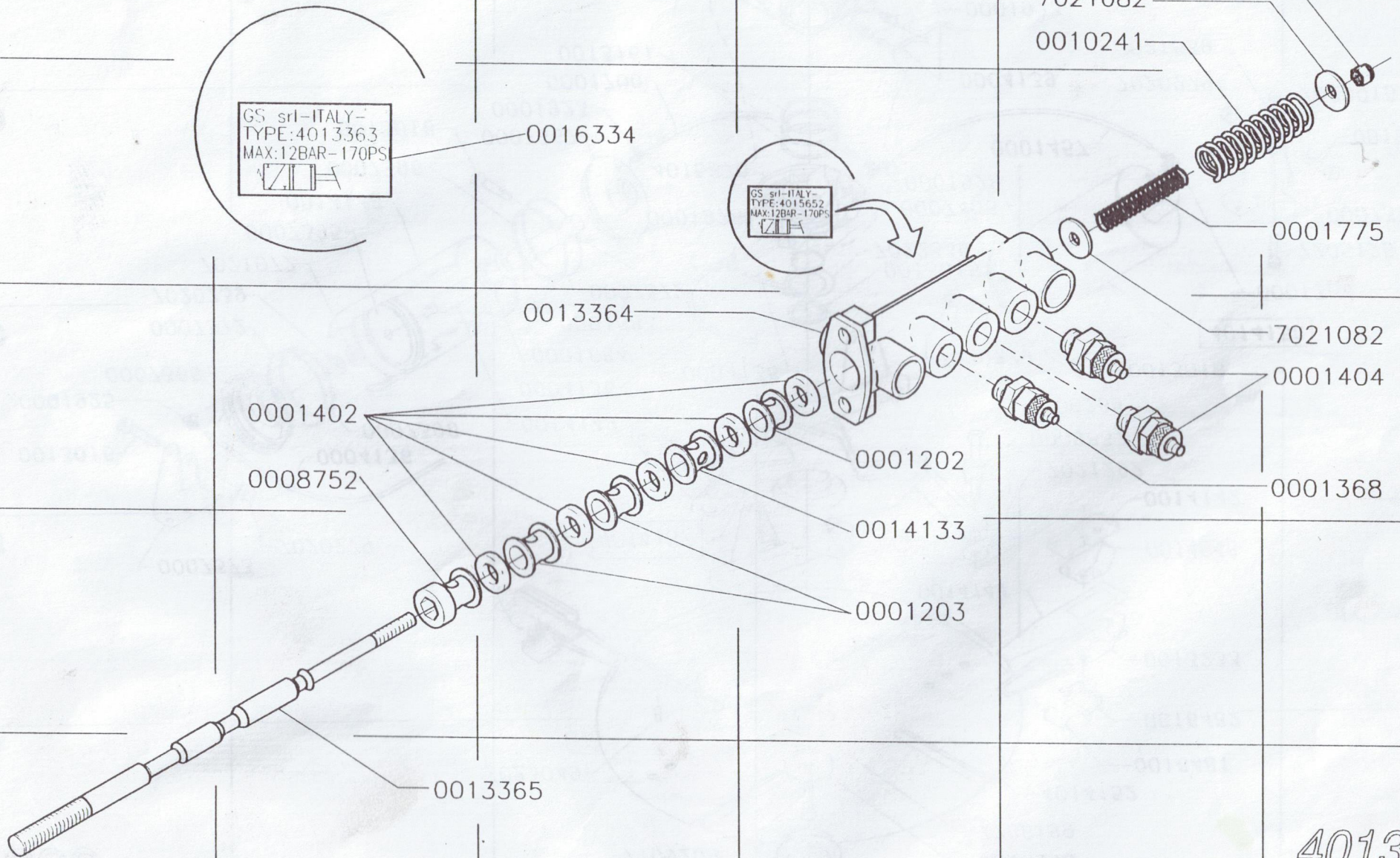
7021082

0001404

0001368

4013363

00



380

1

2

3

4

5

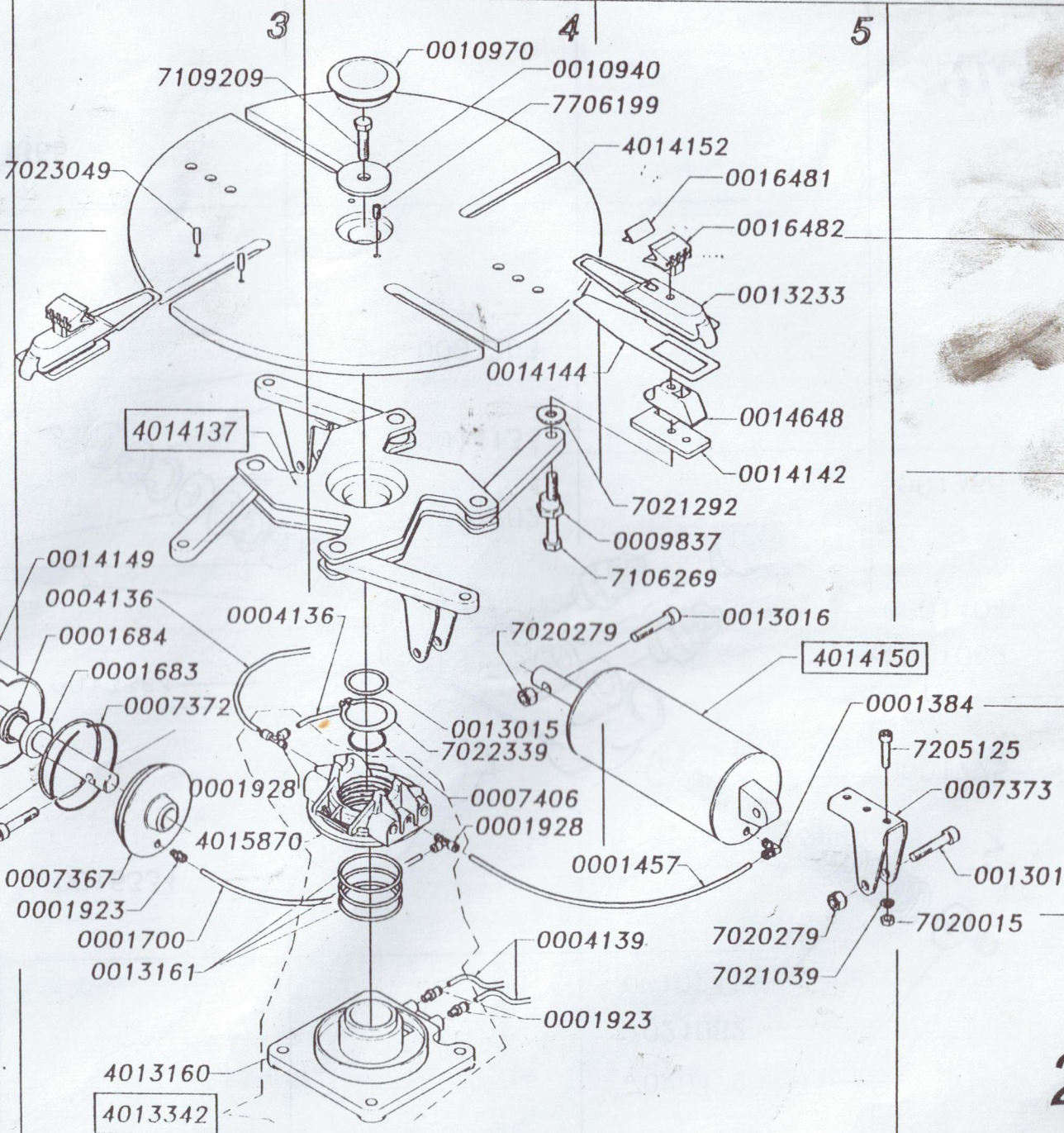
A

B

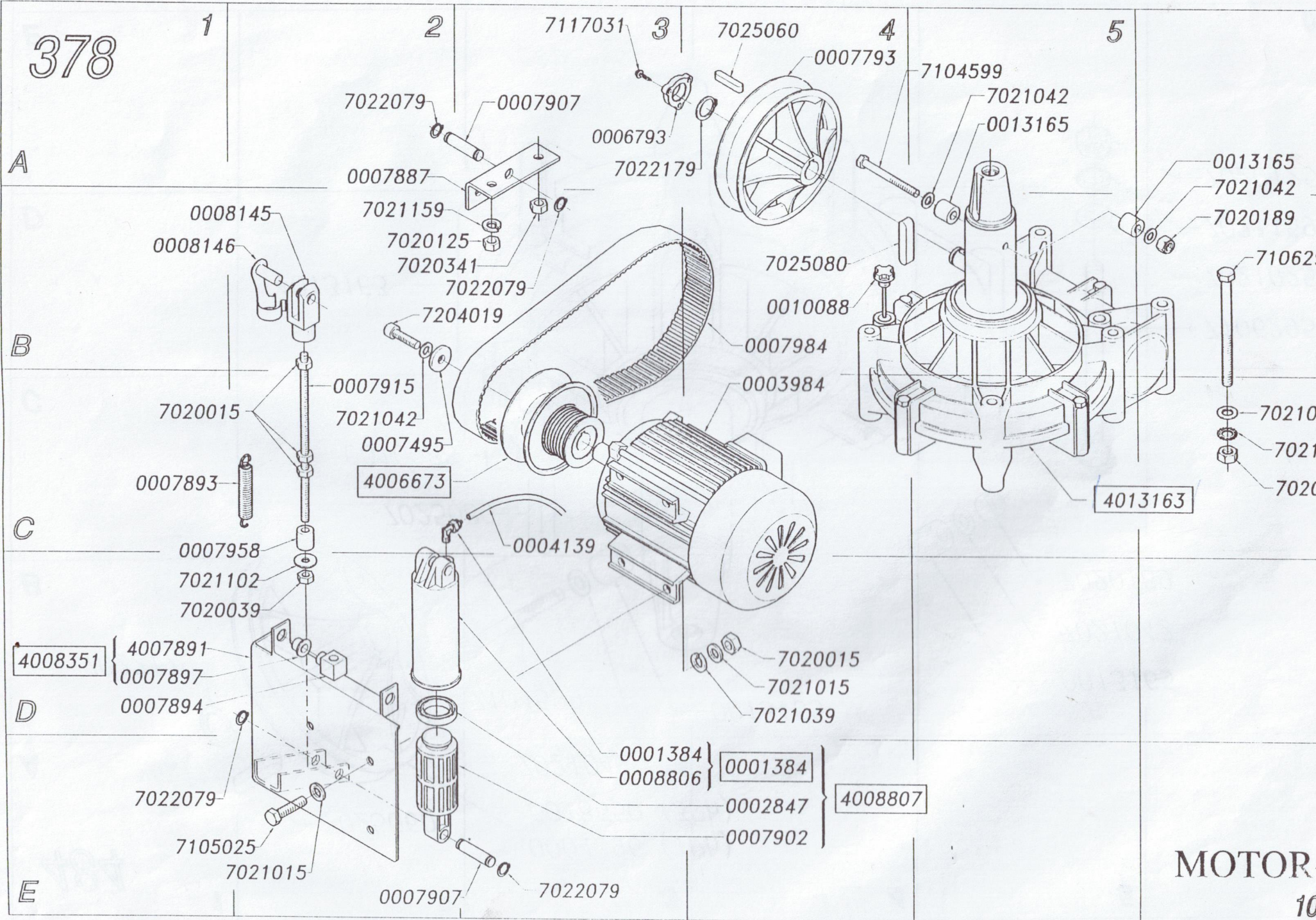
C

D

E



378



MOTOR-

484

1

2

3

4

5

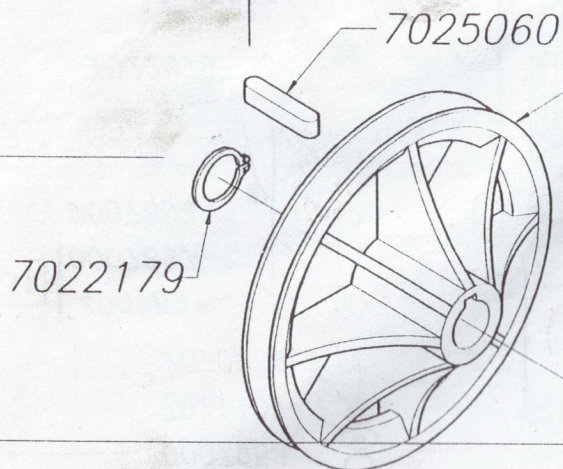
A

B

C

D

E



0004396 (1Ph)
0018650 (3Ph)

7021042

7104599

0013165

0013165

7021042

7020189

7025080

0010088

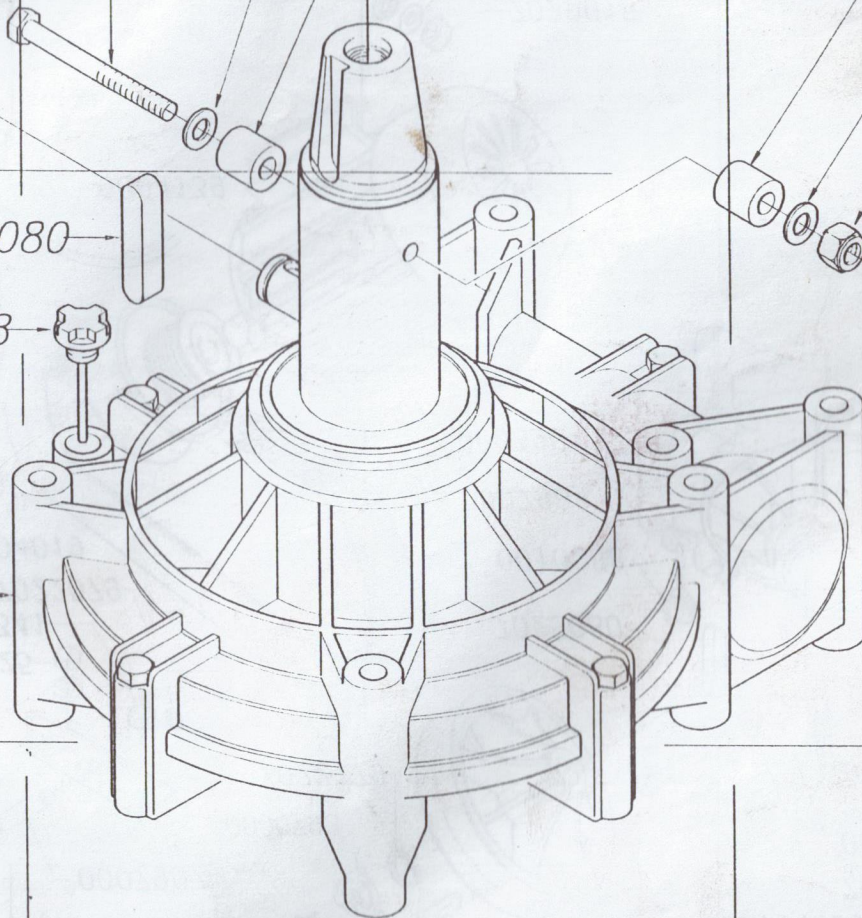
4013163

7106295

7021025

7021159

7020125



360

1

2

3

4

5

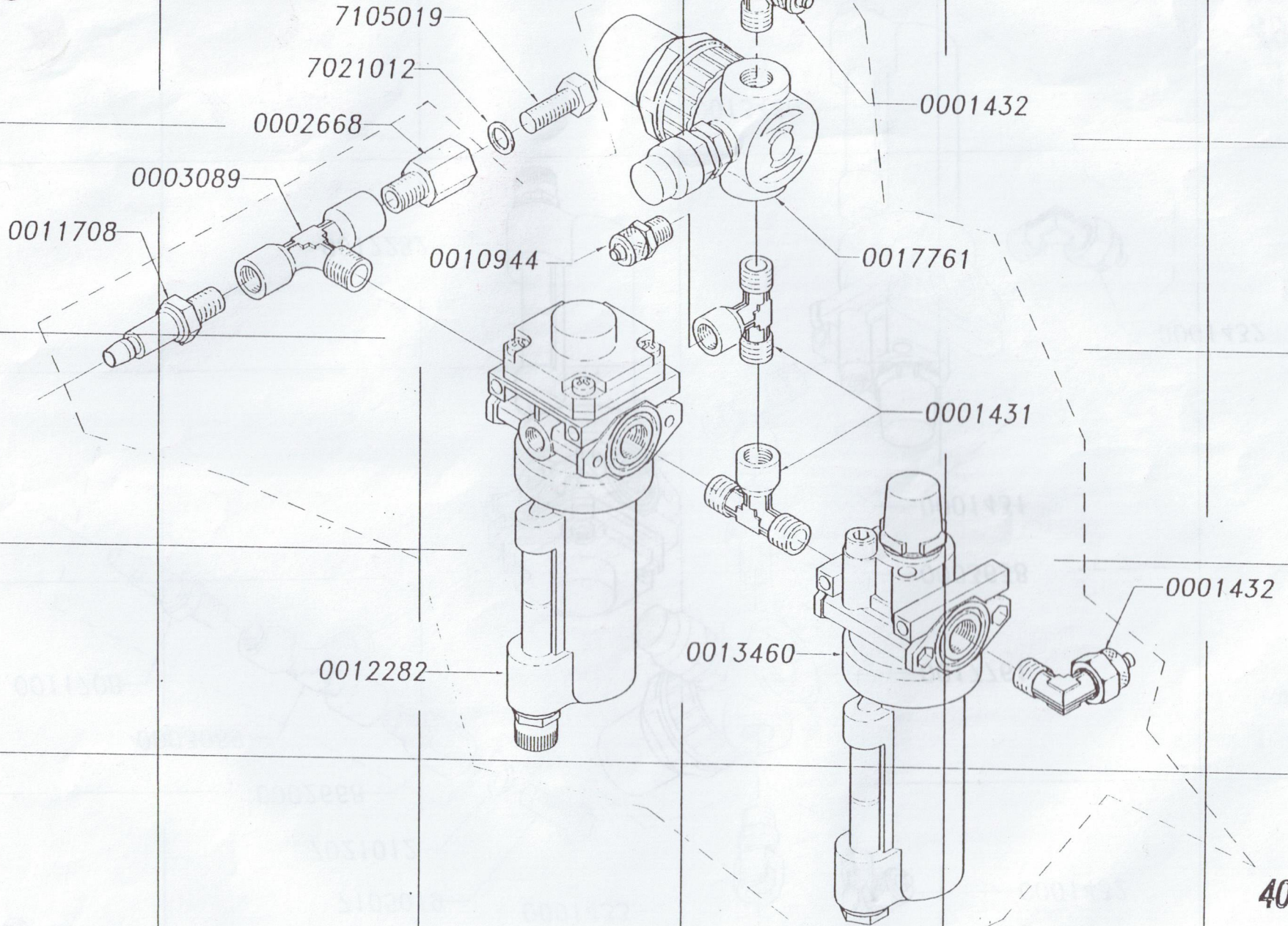
A

B

C

D

E



359

1

2

3

4

5

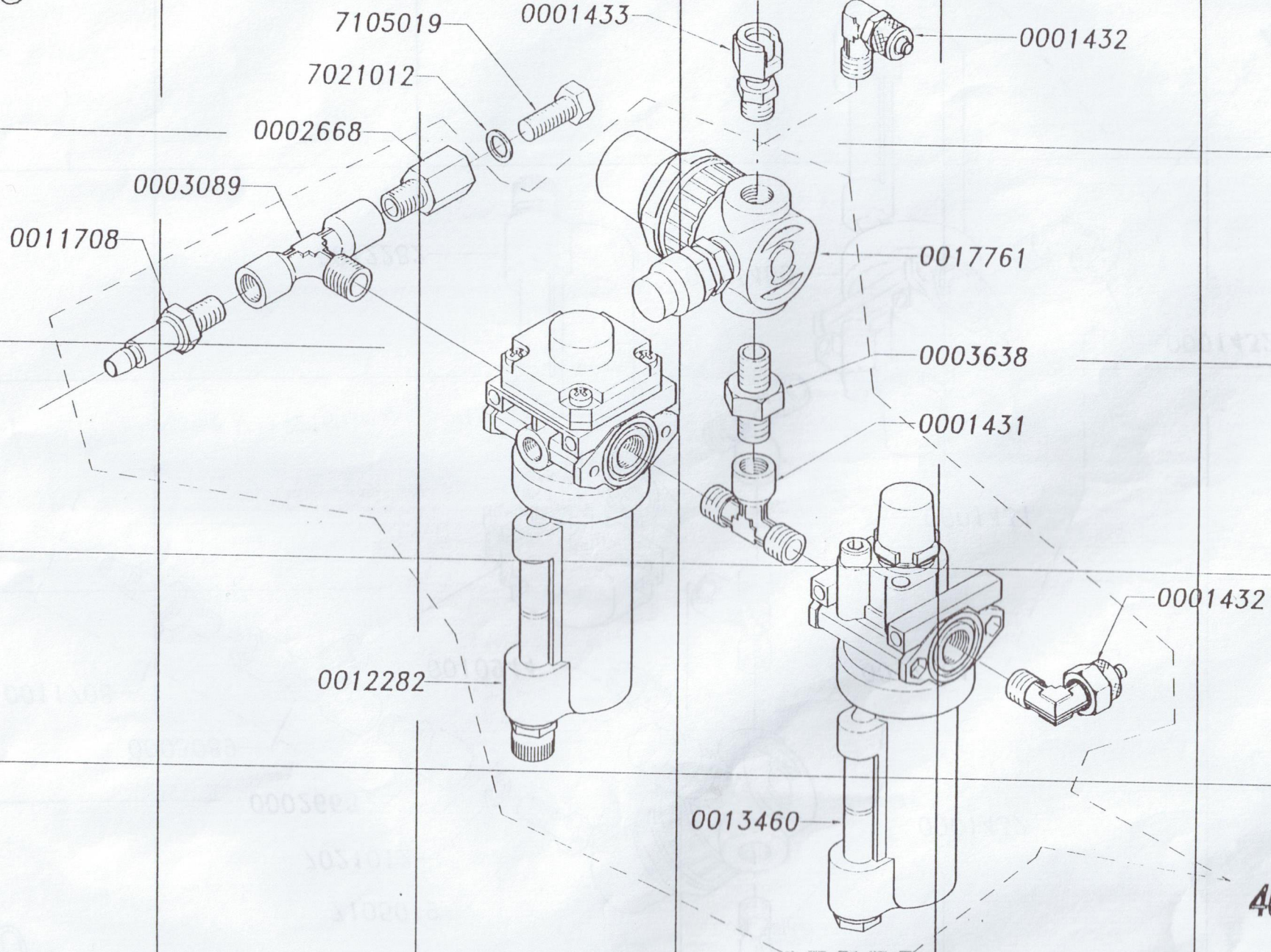
A

B

C

D

E



4017969

362

1

2

3

4

5

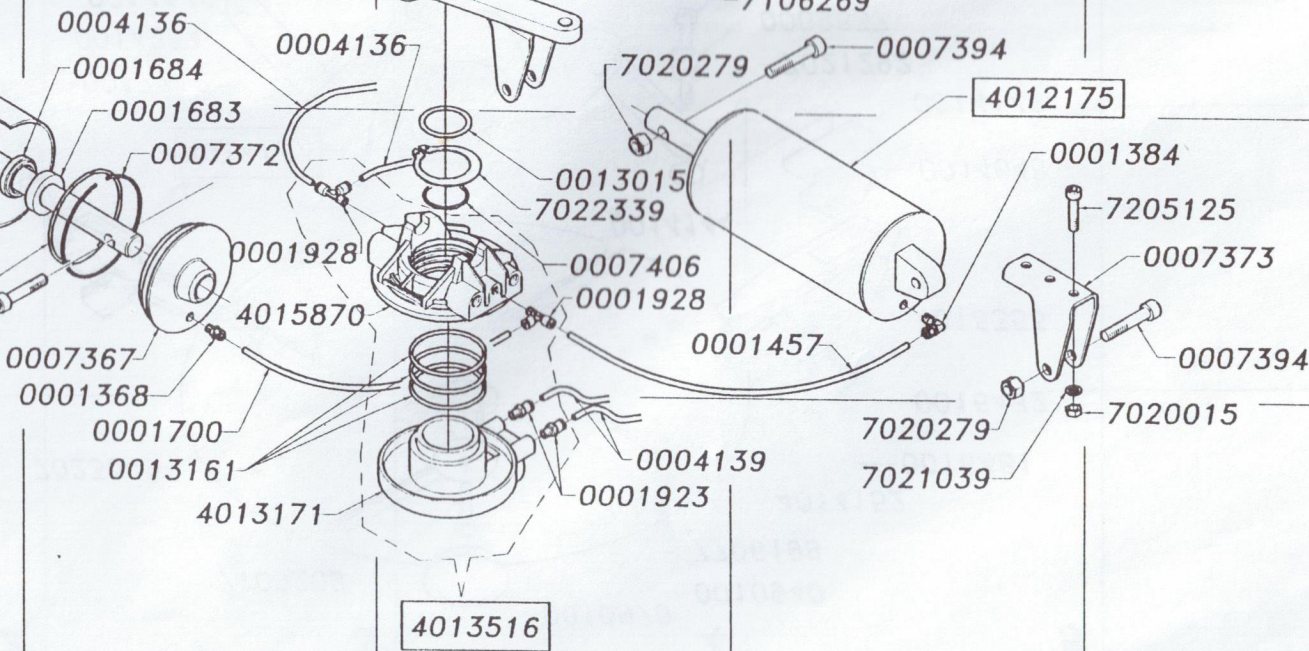
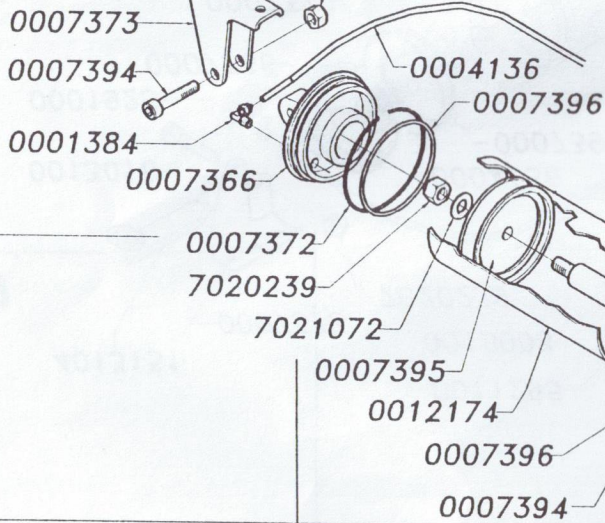
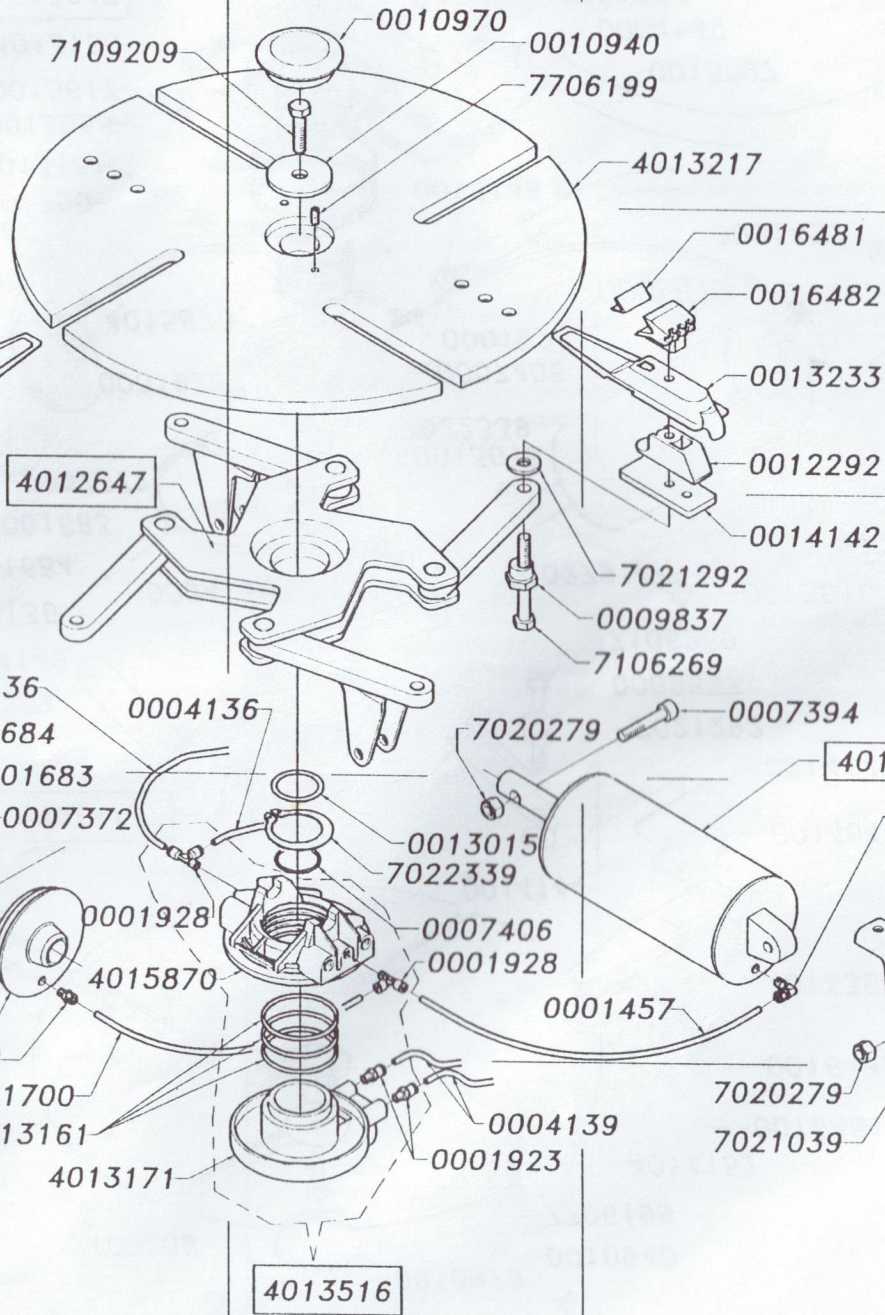
A

B

C

D

E



381.1

1

2

3

4

5

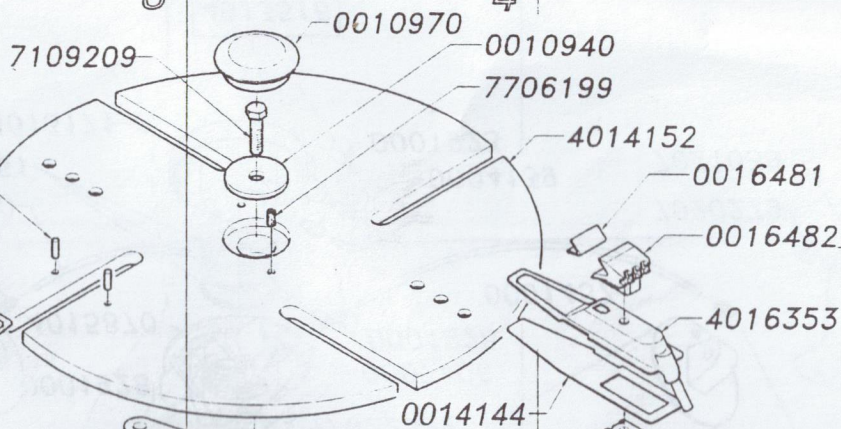
A

B

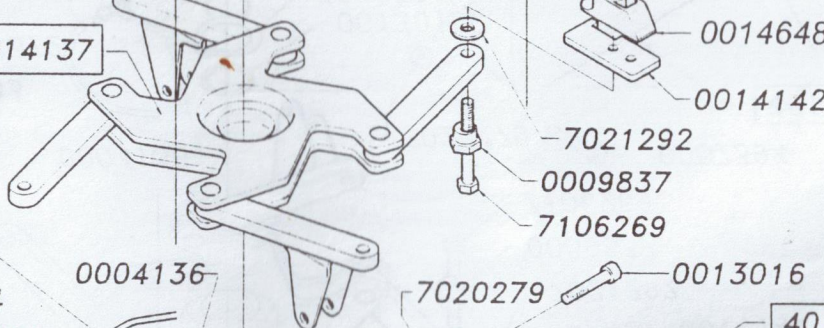
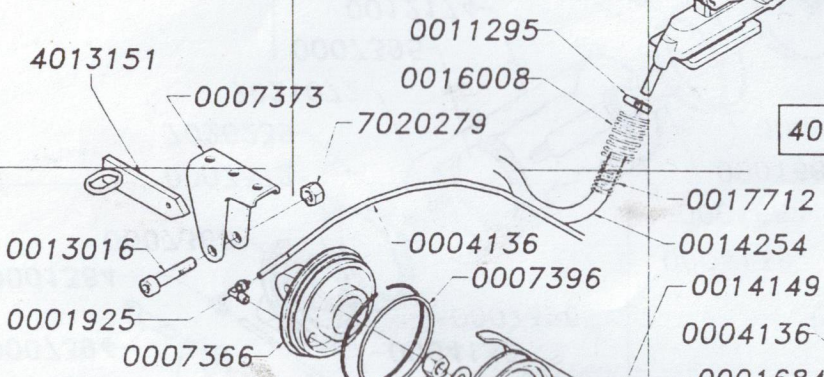
C

D

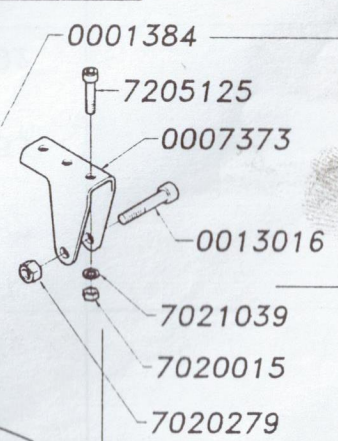
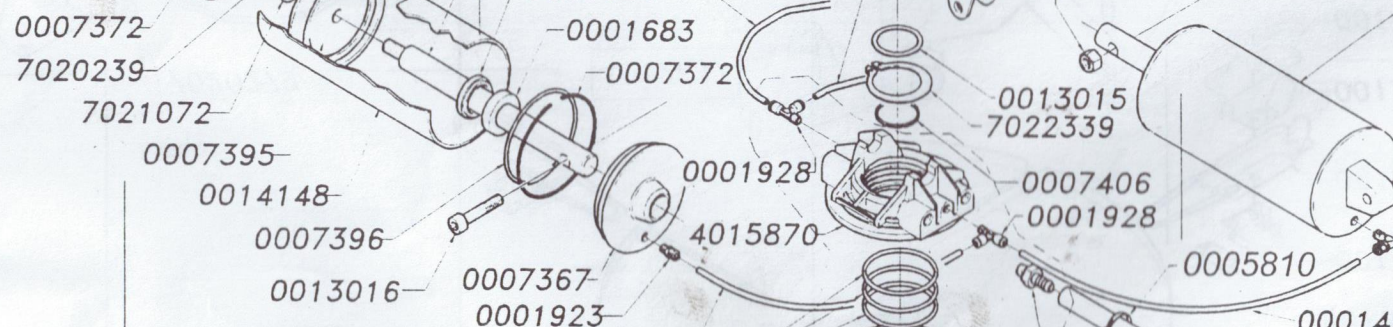
E



4014137



4014150



20"

12/

364

1

2

3

4

5

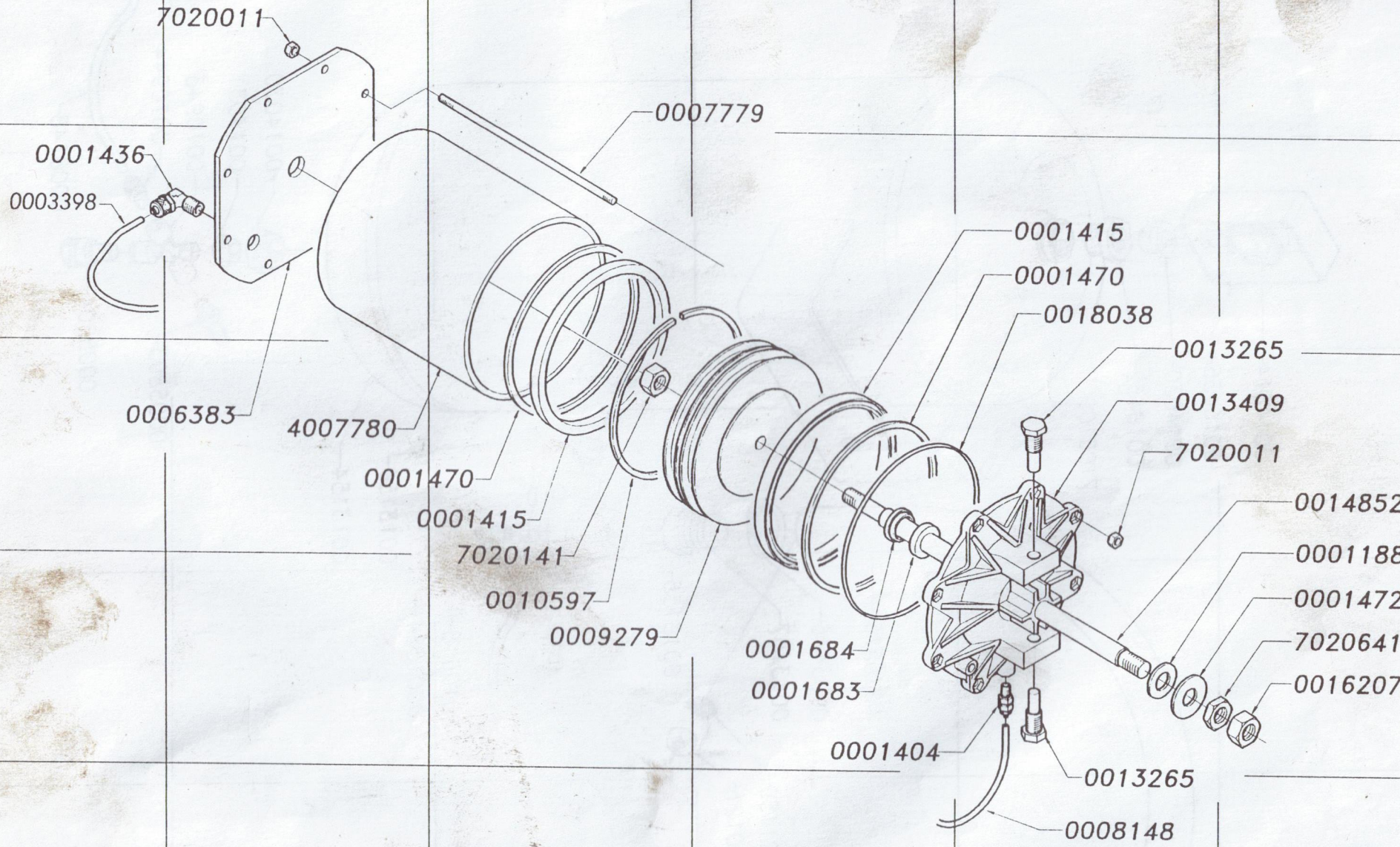
A

B

C

D

E



4014897

1

A

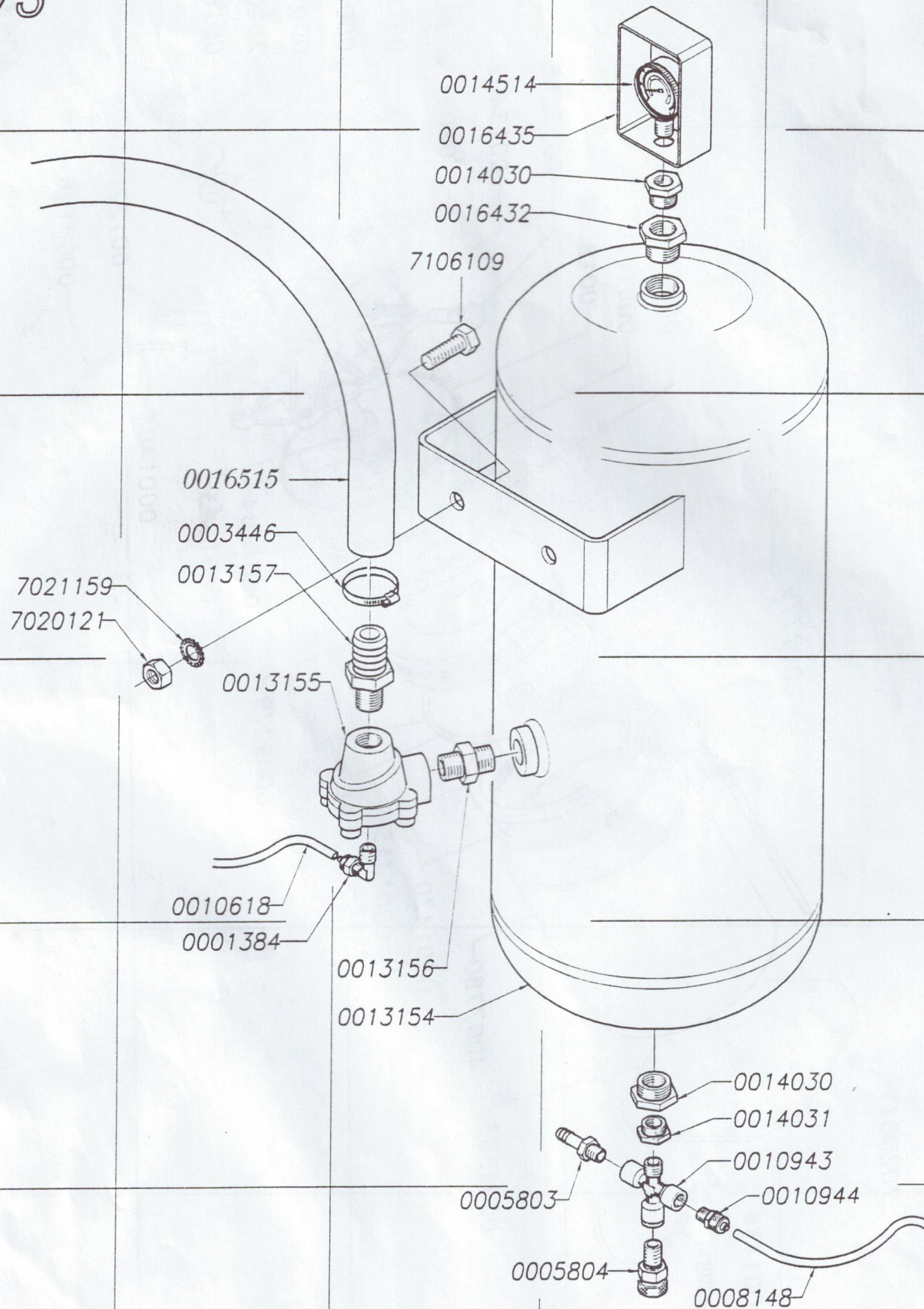
B

C

D

E

F



369.1

1

2

3

4

5

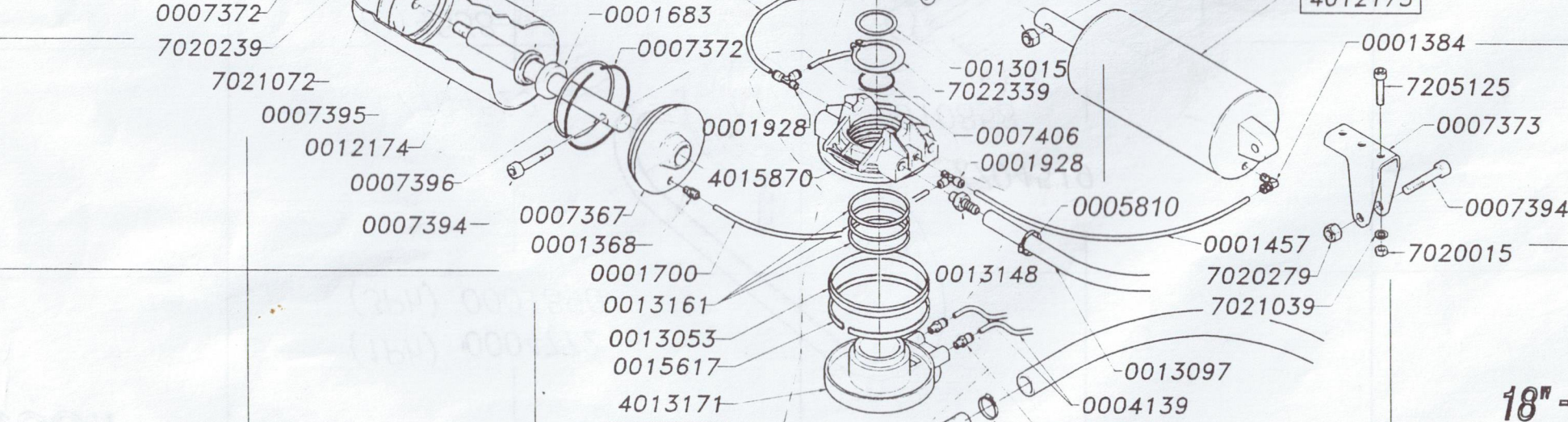
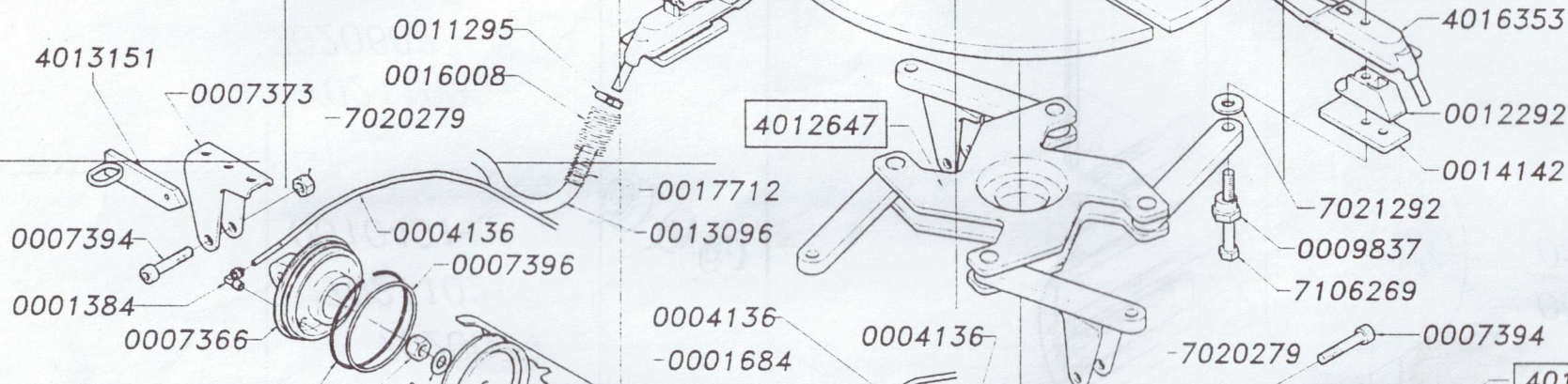
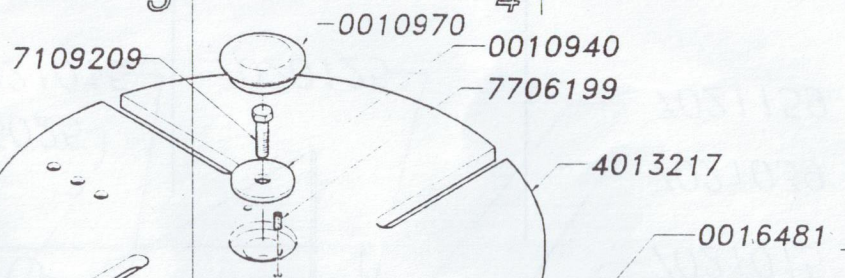
A

B

C

D

E



18" - G

1

365.1

1

2

3

4

5

A

(1Ph) 0004772
(3Ph) 0001890

B

7704529

-7704519

0010858

C

4014538

7020039

7021102

0010491

0003984 (3Ph)

0019991 (1Ph)

D

7021102

7020602

7020011

7021015

7105431

7020015

7021015

7021039

7021159

E

7105025

7021015

7020125

777

1

2

3

4

5

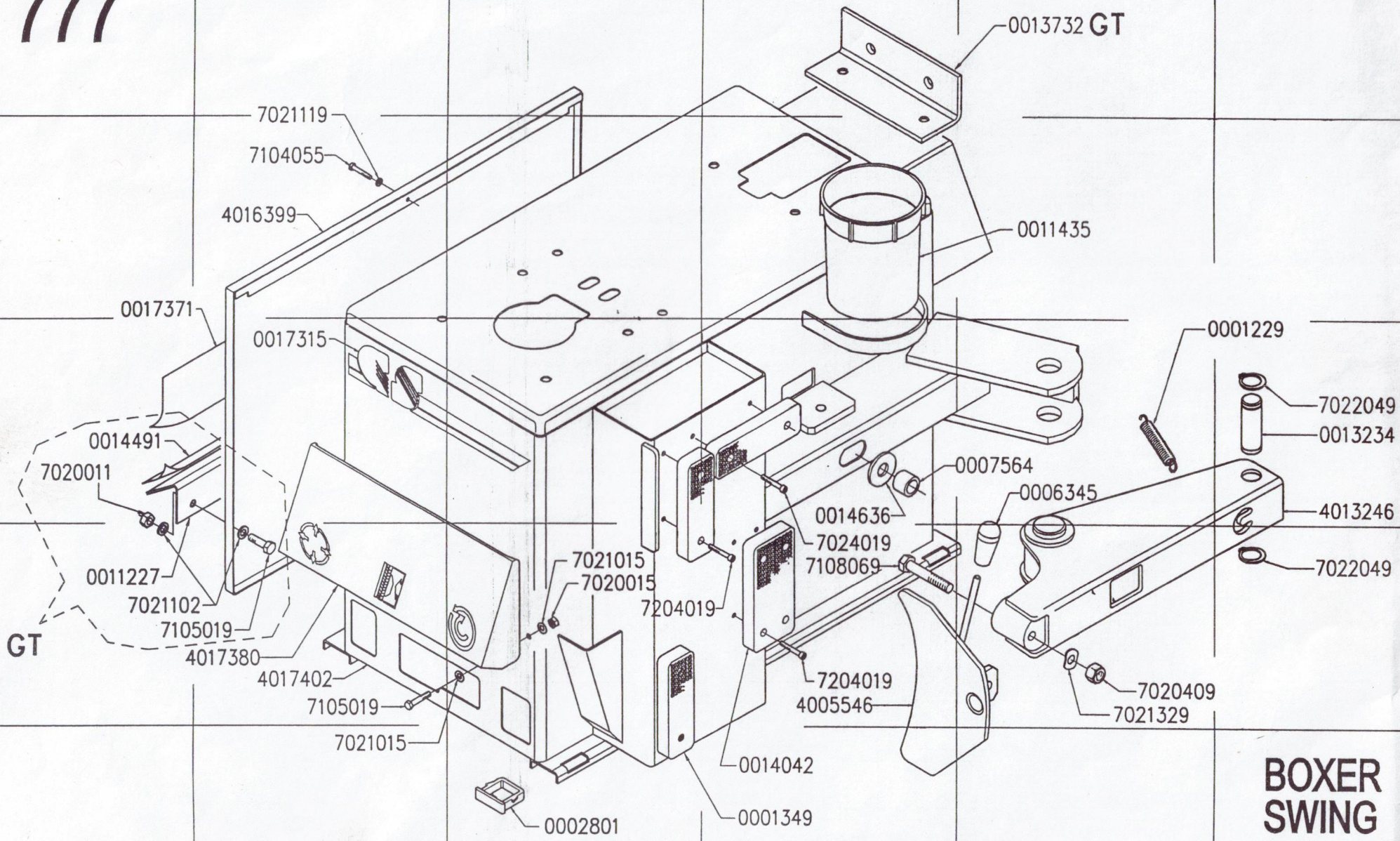
A

B

C

D

E



**BOXER
SWING
PRO 20**

08/9

GS TYRE CHANGER PARTS

<i>ID PART NO</i>	<i>DESCRIPTION</i>	<i>DETAILI</i>
1 16481	JAW PROTECTORS	PLASTIC PROTECTORS THAT FIT ON JAWS
2 11064	RIM PROTECTOR	PLASTIC THING ON DETENT TOOL
3 5349	'O" RING	"O" RING FOR WHITE OR RED VALVES
4 0025946	TYRE LEVER	SPECIAL TYRE LEVER(HAND CLEARS TOWER)
5 4014897	BEAD BREAKER	COMPLETE ASSY FOR OLD A22(BLACK VALVES)
6 7564	RUBBER BUSHING	BEAD BREAKER BUSH-
7 1683	TOP SEAL	TILT TOWER SEAL
8 1684	BOTTOM SEAL	TILT TOWER SEAL
9 1417	LIP SEAL	BEAD BREAKER SEAL
10 4017159	BEAD BREAKER VALVE	WHITE BEAD BREAKER VALVE
11 24180	LEVER COVER	TYRE LEVER COVER
12 14042	LARGE PAD	LARGE BEAD BREAKER PAD
13 1349	SMALL PAD	SMALL BEAD BREAKER PAD
14 4017256	TILT TOWER VALVE	WHITE TILT TOWER FOOTVALVE
15 5526	SPRING	SPRING AT THE BACK OF THE TOWER
16 4017255	TURTABLE VALVE	WHITE TURNTABLE VALVE
17 1402	SMALL" O" RING	"O" RING IN BLACK FOOTPEDAL
18 7040080	COTTER PIN	PIN IN DETENT TOOL
19 144	PLASTIC JAW PROTECT	COVERS THE ENTIRE JAW
20 14419	3 COIL SPRING	A22 BEAD BREAKER
21 16103	4 COIL SPRING	A22 TILT TOWER
22 0026582	BEAD BREAKER COVER	FITS ON BLADE, PROTECTS ALLOYS
23 4024078	MOUNTING CLAMP DEV	
24 4025966	BEAD DEPRESSING RO	ATTACHES TO HEAD & DEPRESSES BEAD
25 1418	LEVER	STANDARD LEVER
26 7020409	BEAD BREAKER NUT	NUT ON THE END OF THE BEAD BREAKER SHAF
27 9587	FOOTPEDAL	TOWER,JAWS,BEADBREAKER.
28 4016330	FOOTPEDAL	ELECTRIC TURNTABLE
29 7021042	FOOT VALVE CAM	PLASTIC GUIDE FOR FOOTVALVE

<i>ID PART NO</i>	<i>DESCRIPTION</i>	<i>DETAILS</i>
30 10478	TILT RAM PLUNGER	RUBBER PLUNGER INSIDE TILT RAM A22GT
31 10479	TILT RAM END SEALS	A22GT "O" RINGS FOR TILT RAM
32 9361	PRINCE FOOTVALVES	
33	MANIFOLD	
34	MANIFOLD RINGS	
35 4007435	HEX ROD LOCKING PIS	THE BELL SHAPED DEVICE THAT LOCKS HEX RC
36 4007436	HORIZONTAL LOCKING	THE BELL SHAPED DEVICE THAT LOCKS THE AR
37 0007439	LOCKING PLATE	THE PLATE THAT LOCKS THE HEX ROD
38 0007438	LOCKING PLATE	THE PLATE THAT LOCKS THE ARM
39 0009225	SPRING	SPRING THAT SITS ON TOP OF HEX ROD PLATE